



LEADING THE MOVEMENT TO MAINTENANCE-FREE BOATING

Unlike traditional sea strainers, which require constant cleaning, ElectroStrainer Sport offers a virtually maintenance-free way to manage your seawater cooling system. If the system detects a decrease in flow rate, then the STRAINER indicator will flash on the display, alerting you that the strainer basket needs attention. The best part is there's no scheduled maintenance, no additives and no chemicals required.



ENVIRONMENTALLY FRIENDLY, NO ADDITIVES REQUIRED

Continuous, low-level electrochlorination is a proven anti-fouling treatment that controls the growth of a range of marine organisms, including barnacles and biofilms. Chlorinated seawater exhibits rapid decay and has a very short half-life with two-thirds decomposing back into common salt (sodium chloride) and water in about one minute. The seawater that exits the boat is not harmful to the environment.



PEACE OF MIND

Our high standards of excellence and unwavering dedication to customer service have firmly established ElectroSea as one of the most trusted leaders in marine products today.

ElectroStrainer Sport is designed, assembled, and quality-control tested in-house at our headquarters in Minneapolis, Minnesota, USA.

MARINE GROWTH PREVENTION THAT'S RIGHT FOR YOU

ElectroSea® offers **two** options for all-in-one marine growth prevention – ElectroStrainer® Pro and ElectroStrainer® Sport.

	ELECTROSTRAINER PRO	ELECTROSTRAINER SPORT
Marine Growth Prevention	✓	✓
Internal Strainer	✓	✓
Remote Display	✓	optional (ordered separately)
Warranty	2 years (parts and labor)	1 year (parts only)*
Support	on-site, phone and online	online only
Canister	2205 stainless-steel alloy	glass fiber composite
Strainer Inlet/Outlet Size	1", 1.25", 1.5" and 2"	1" and 1.25"
Installation	dealer/OEM installation	self-installation
Application	new build and refit	refit only

*Covers the cost of replacement parts only. Any associated labor costs, if applicable, are not included.



Stop paying for never-ending descaling bills



Stop overworking your air conditioners



Stop using harsh acid descalers

Available for purchase at www.electrosea.com

ELECTROSTRAINER® Sport

REVOLUTIONARY BIOFOULING PREVENTION AND SEA STRAINER SYSTEM



OPTIONAL REMOTE DISPLAY (ORDERED SEPARATELY)



ELECTROSTRAINER *Sport*

MARINE GROWTH PREVENTION FOR YOUR BOAT'S AIR CONDITIONER

ElectroStrainer® Sport is a revolutionary system that prevents barnacles and marine growth from forming in your boat's seawater circuit – from the integrated strainer basket to all seawater lines. With ElectroStrainer Sport, frequent visits to the engine room to scrub your strainer basket are over, and seawater supply lines remain free and clear of marine growth, ensuring optimal flow rates to air conditioners, chillers, and refrigerators. ElectroStrainer Sport has no scheduled maintenance and forever changes the industry's approach to seawater management.

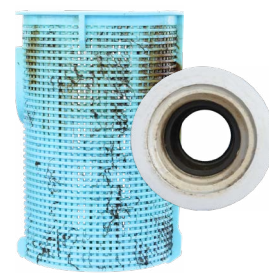
MARINE GROWTH: A NEVER-ENDING BATTLE



WITHOUT ELECTROSTRAINER SPORT

Barnacles, biofilm, algae, and unwanted marine growth in sea strainers and seawater intake lines are a never-ending problem. As soon as you clean your sea strainer or acid descale your seawater lines, marine organisms begin growing again. This biofouling threatens the performance of seawater-cooled equipment, leading to air conditioner overheating, high-pressure fault (HPF) alarms, and failure at the worst time.

TECHNOLOGY TRIUMPHS: ELECTROSTRAINER SPORT



WITH ELECTROSTRAINER SPORT

ElectroStrainer Sport creates an environment where marine growth simply can't live. As seawater enters the boat, the patented electrochlorination system generates a safe and effective low level of chlorine in its strainer basket. Treated seawater flows through the entire cooling system. Your lines remain free of marine growth, strainers stay clean longer, and you'll never have to acid descale again. Period!

THE SCIENCE

When seawater enters the boat, it enters the ElectroStrainer Sport Canister where it passes through a series of electrified titanium plates coated with a rare earth metal oxide catalyst. An electrochemical reaction generates a safe and effective level of chlorine, about the same amount found in tap drinking water. **No chemical additives or acids required.**

ALL-IN-ONE DESIGN

The award-winning ElectroStrainer Sport is an all-in-one, smart biofouling-prevention system with integrated sea strainer for your air conditioning or chiller. ElectroStrainer Sport replaces your existing sea strainer and combines three components: an advanced, smart flow-monitoring system, an innovative biofouling-prevention device, and an integrated hydrodynamic sea strainer.



INTEGRATED CONTROLS

An integrated Control Head with a compact design features a bright, easy-to-read LED screen and intuitive controls. Power is dynamically adjusted to the system to ensure a precise, low level of electrochlorination.

SMART FLOW MONITORING

The flow rate is monitored in real time using the ultrasonic ClearVis® Flow Sensor so you know how much protected seawater is flowing through your system at all times. ElectroStrainer Sport alerts you if the strainer basket needs attention.

HYDRODYNAMIC STRAINER

The integrated sea strainer basket is hydrodynamically optimized to diffuse treated seawater throughout the entire basket. The strainer basket has a large surface area with minimal pressure drop.

COMPOSITE CANISTER



The Canister is made of an engineered lightweight, advanced glass fiber-reinforced composite with titanium-threaded inserts and stainless-steel reinforced rings designed for strength and durability.

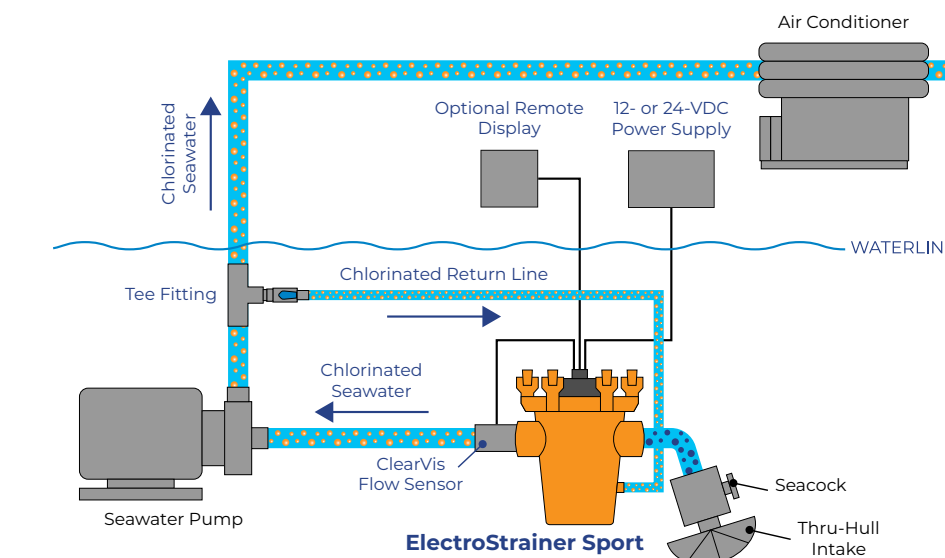
ACTIVE MONITORING AND ALERTS

Instead of peering through a dirty sight glass or opening your strainer, simply look at ElectroStrainer Sport's digital display. The ClearVis Flow Sensor actively monitors flow rates in real time, assuring you it's preventing unwanted marine growth. The Smart Strainer Flow Alert™ feature automatically alerts you if the system needs attention for any reason, such as low seawater flow due to debris in the strainer basket.



Replace your existing sea strainer with an ElectroStrainer Sport

	ES-100-SPORT	ES-125-SPORT
		
Inlet/Outlet Size	1" NPT (DN25)	1.25" NPT (DN32)
Optimal Flow Rate	3-12 gpm (11-45 lpm)	6-17 gpm (23-64 lpm)
Min/Max Flow Rate	3-20 gpm (11-76 lpm)	4-30 gpm (15-114 lpm)



PERFECT FIT

ElectroStrainer Sport replaces your existing sea strainer. Available in two sizes (1" and 1.25"), it's simple to determine the right fit for your boat. Simply measure the diameter of the inlet/outlet of your current sea strainer and choose the matching ElectroStrainer.

EASY INSTALLATION

DIY self-installation is straightforward and can be completed while your boat is still in the water. Detailed, step-by-step installation instructions are provided both digitally and in print, making it easy to do the job yourself.



SCAN FOR MANUAL