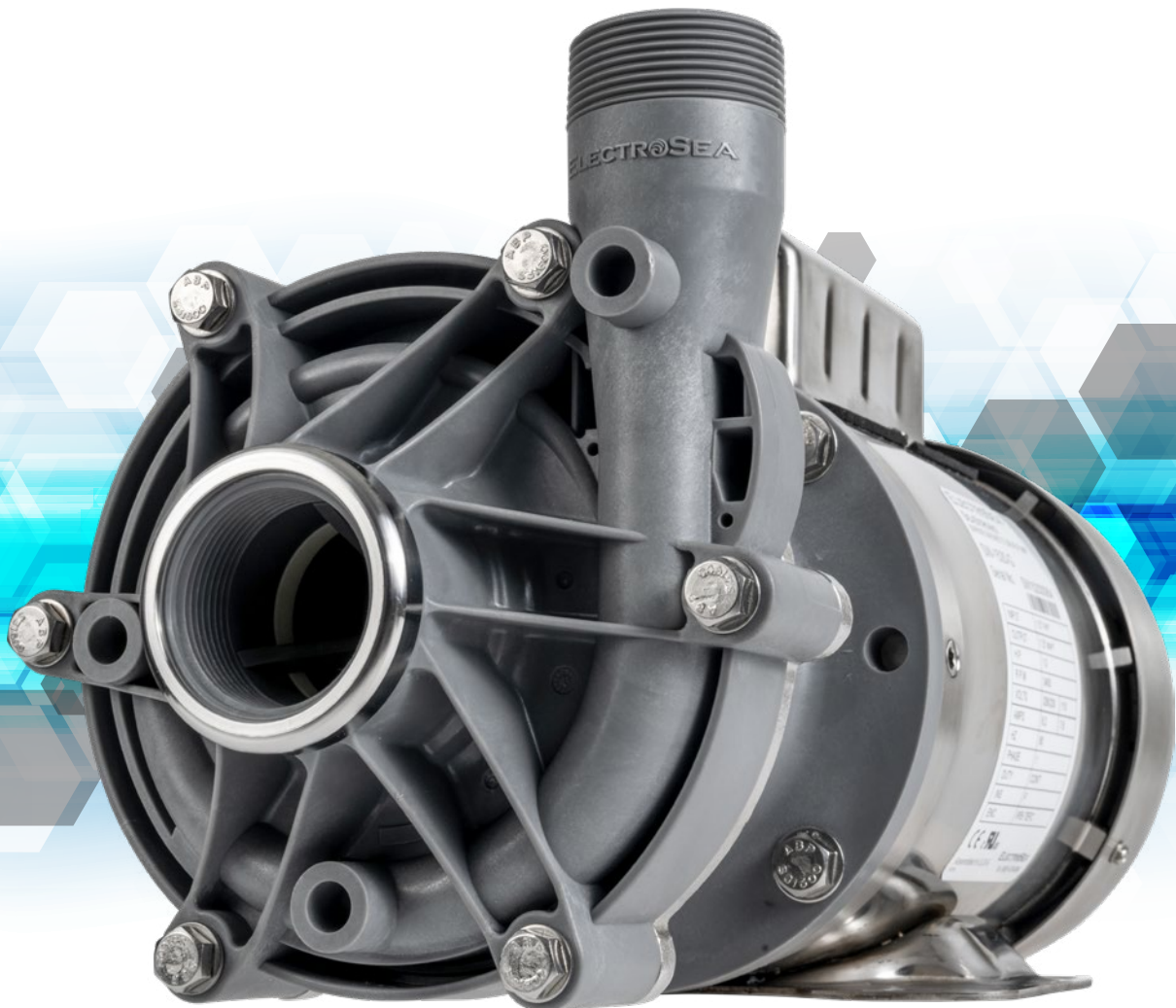


ELECTROSEA®
EXPERTS IN MARINE GROWTH PREVENTION SYSTEMS®

SEASTRONG® SILVER BULLET

RDP RUN DRY
PROTECTION



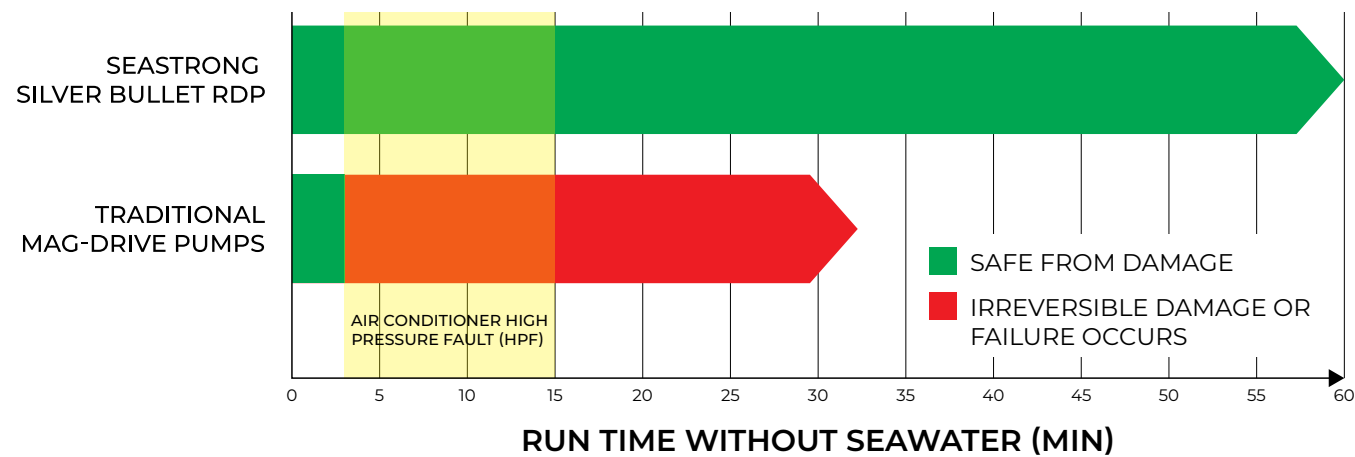
ULTIMATE SEALLESS MARINE PUMP

WARRANTIED AGAINST RUN DRY

Running a pump dry, without seawater for cooling, will cause premature wear and failure. Friction builds rapidly, generating intense heat that can melt or severely damage internal components. Traditional magnetic-drive pumps can fail in as little as three minutes, and even brief periods of running dry can cause cumulative damage that leads to premature pump failure.



WARRANTIED AGAINST RUN DRY WHEN USED WITH A MARINE A/C OR CHILLER*



*SeaStrong Silver Bullet RDP is warrantied against run dry when used in a seawater circuit with a marine air conditioner or chiller. SeaStrong Silver Bullet RDP-30, 45, 62, 75 and 100 have a warranty period of 60 minutes, and SeaStrong Silver Bullet RDP-137 and 150 have a warranty period of 15 minutes.**

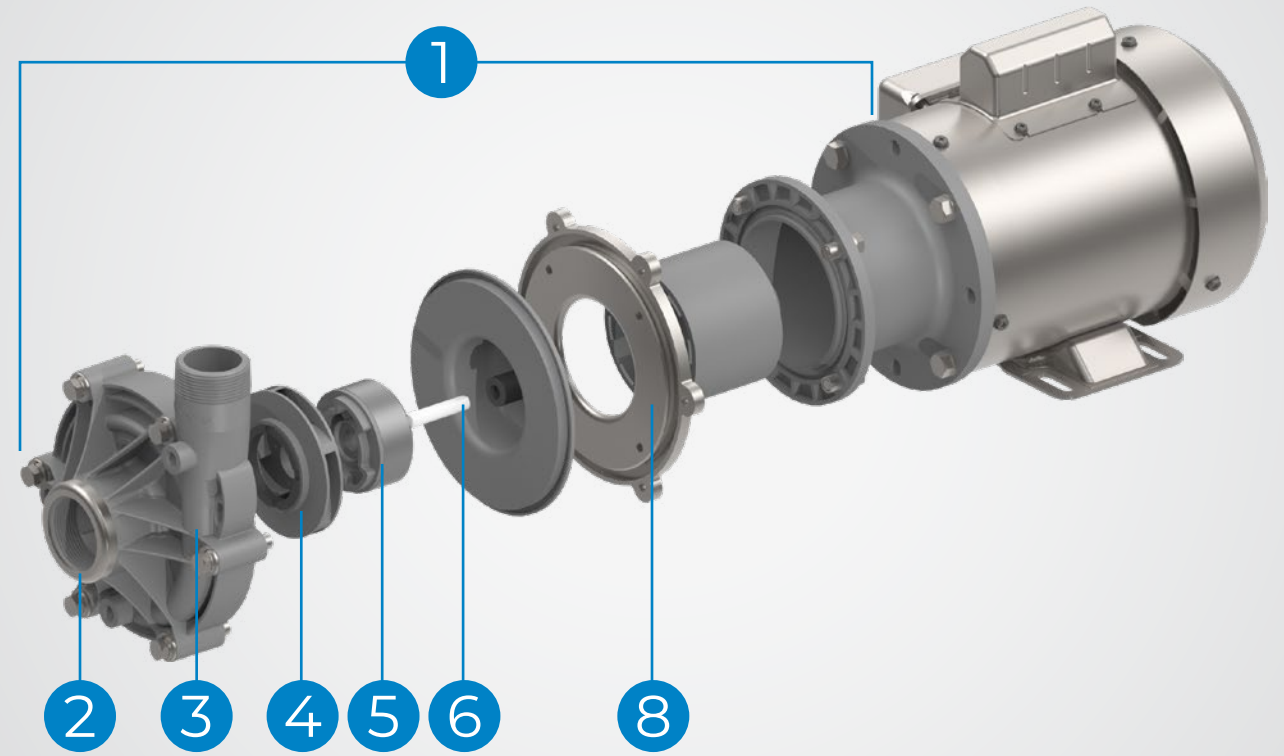
SeaStrong Silver Bullet RDP sealless magnetic-drive pumps offers extreme Run-Dry Protection thanks to extremely low heat generation. The patent-pending design incorporating proprietary materials creates less heat and dissipates it efficiently for extended life span.

Here's why it matters: Marine air conditioners rely on flowing seawater for heat exchange in the condenser. A loss of seawater flow by the pump triggers a high-pressure fault (HPF), shutting down the air conditioner. However, this shut-down process can take 3 to 15 minutes, a critical window during which the pump can be severely damaged or fail completely.

ElectroSea's new, patent-pending Run-Dry Protection technology allows the pump to withstand run-dry conditions far beyond the air conditioner's typical shut-down time. This extended Run-Dry Protection prevents the risk of damage or failure during this vulnerable period.

SeaStrong Silver Bullet RDP is designed, assembled, and quality-control tested in-house by our engineering and manufacturing teams at our headquarters in USA. SeaStrong Silver Bullet RDP is backed by ElectroSea's 2-year parts and labor warranty.*

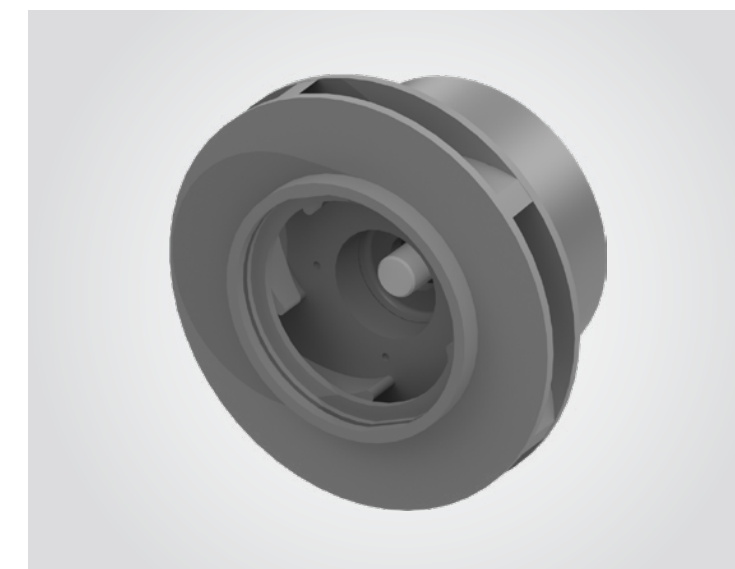
**Please visit our website to view our full Warranty terms and conditions: www.electrosea.com/warranty*



ANATOMY OF INNOVATION: BLUEPRINT FOR PERFORMANCE

Experience unmatched performance and reliability with SeaStrong Silver Bullet RDP. Our patent-pending pump design includes these key features:

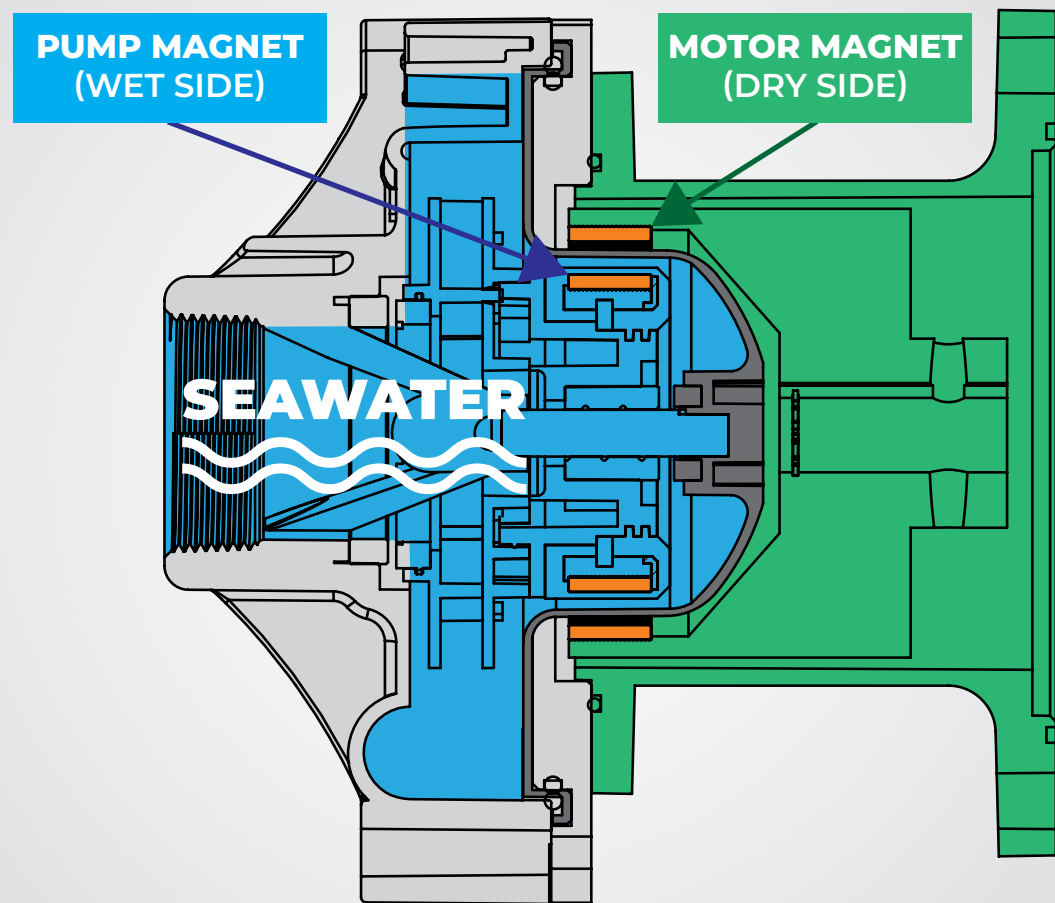
1. Sealless magnetic drive
2. Reinforced inlet prevents cracking
3. Advanced pump head prevents marine growth
4. Non-metallic impeller for long life
5. Sealed magnet for maximum drive
6. Ultra-low friction shaft and bushings
7. Composite pump head with no metallic parts
8. 316L stainless prevents corrosion
9. Rotatable pump head for flexibility



The long-lasting composite impeller will not wear out or corrode over time, allowing the highly efficient impeller to provide the high flow that is ideal for air conditioners, chillers, and livewells.

ENGINEERED FOR PERFORMANCE IN SEAWATER

PERPETUALLY MAINTAINS ITS PRISTINE APPEARANCE



SeaStrong Silver Bullet RDP pumps feature a stainless-steel IP55-rated washdown motor that provides protection against water jets by a nozzle from any direction. The totally enclosed, fan-cooled (TEFC) motor has sealed bearings, stainless-steel output shaft seals, and a stainless housing that resists tarnish or corrosion and always looks good.



SEALLESS MAGNETIC DRIVE

SeaStrong sealless magnetic-drive pumps offer distinct advantages when used in seawater applications. The corrosive nature of seawater can lead to rapid deterioration of traditional pump seals, resulting in potential leakage and frequent maintenance. SeaStrong features a wet side and a dry side that are magnetically coupled without a mechanical seal. This design characteristic enhances the overall reliability of the pump in challenging marine conditions. The efficiency of sealless magnetic-drive pumps also contributes to their effectiveness in seawater, as they can efficiently handle the varying flow rates and pressures often encountered in marine systems. In essence, SeaStrong sealless magnetic-drive pumps provide a robust, corrosion-resistant reliable solution for pumping seawater in your boat, making them an excellent choice for recreational boats, from center consoles to sportfish to luxury yachts.

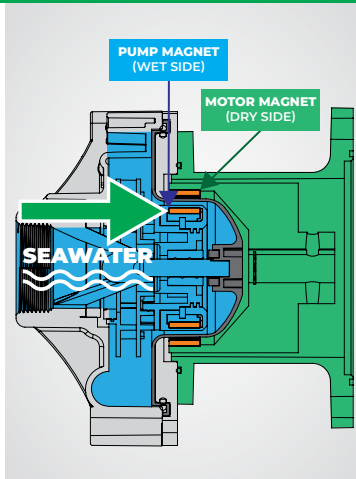
SeaStrong with IP55 washdown stainless-steel motor is built to last



ADVANCED FEATURES FOR

SEASTRONG SILVER BULLET RDP

SeaStrong's sealless magnetic-coupled design has no mechanical shaft seal and will not leak.



OTHER MARINE PUMPS

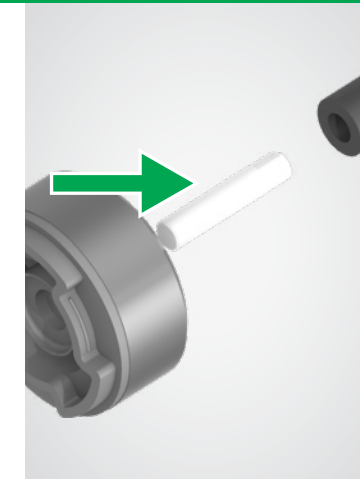


Traditional direct-drive pumps leak at the shaft seal causing them to fail.

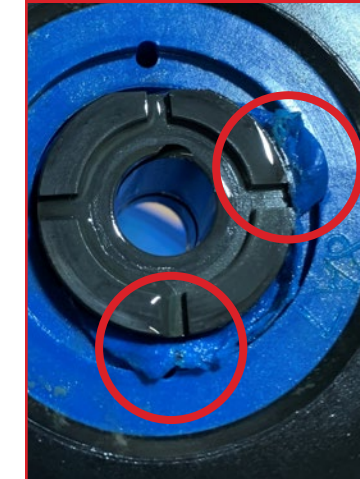
RELIABLE SEAWATER PERFORMANCE

SEASTRONG SILVER BULLET RDP

The patent-pending design incorporating proprietary materials creates less heat and dissipates it efficiently for extended life span.

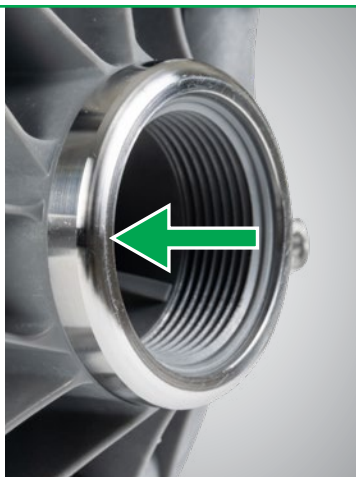


OTHER MARINE PUMPS



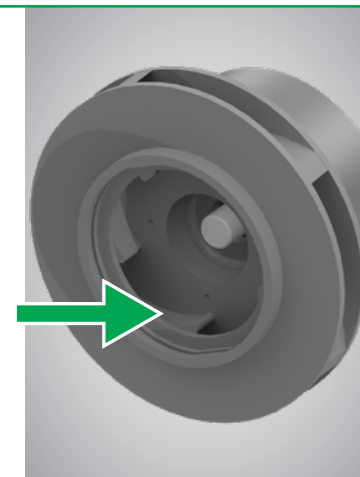
Lower-grade composites are more susceptible to overheating, premature wear, and failure due to friction.

A reinforced inlet ring that is molded into the pump head and made from (316L) stainless provides extra strength at the connection point to prevent cracking.



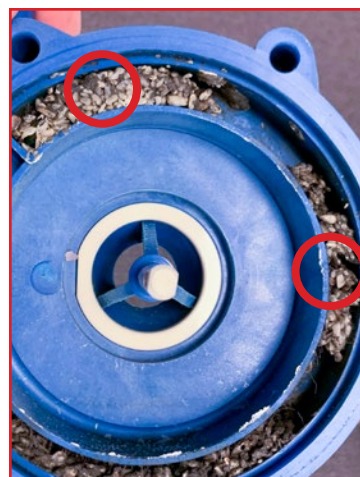
Unreinforced heads crack if excessive force is used or the threads are compromised.

The glass-fiber reinforced composite pump head has no metallic parts in the seawater fluid path that can corrode or fail.



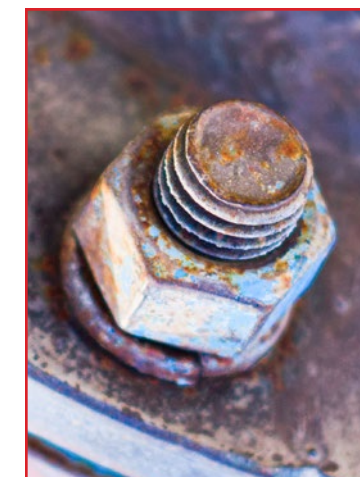
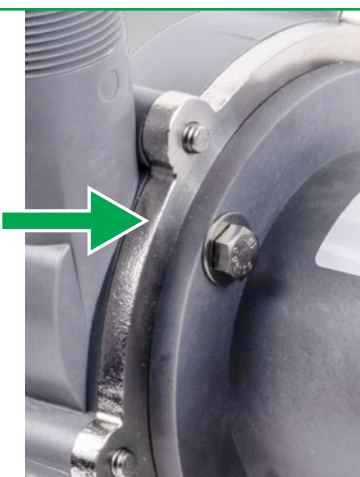
Metallic parts in the seawater fluid path are susceptible to corrosion, erosion, cavitation, and eventual failure.

The advanced pump head has no low-flow or dead spaces, preventing unwanted marine growth.



Other pump-head designs facilitate marine growth with low-flow or dead spots.

The high-grade (316L) stainless motor-to-pump connection plate and (316L) hardware prevents corrosion and keeps your pump in tip-top shape.



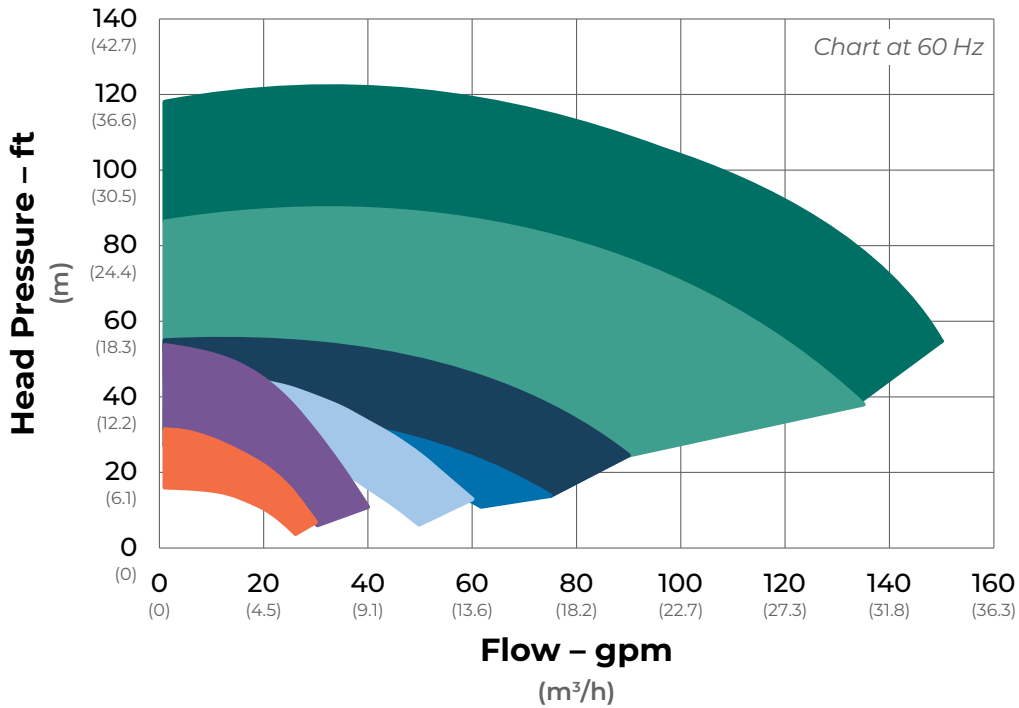
Other pumps use low-grade painted steel hardware that is not made for the marine environment.

25 MODELS TO FIT YOUR BOAT



SCAN HERE!

To find a replacement for your existing seawater pump, visit www.electrosea.com/seastrong-pump-selection-tool



MODEL SERIES	MAX FLOW (gpm) @ 60 Hz	MAX HEAD (ft) @ 60 Hz	MAX FLOW (m ³ /h) @ 50 Hz	MAX HEAD (m) @ 50 Hz
RDP-030	30	31	5.7	6.7
RDP-045	40	54	6.8	11.4
RDP-062	60	46	11.4	9.7
RDP-075	75	35	13.6	7.8
RDP-100	95	59	19.3	12.6
RDP-137	135	90	28.4	20.4
RDP-150	150	121	30.7	26.1

ELECTROSEA®
EXPERTS IN MARINE GROWTH PREVENTION SYSTEMS®

© 2025 ElectroSea. All Rights Reserved.

ElectroSea's products are designed, assembled and quality-control tested at our headquarters in Minneapolis, Minnesota, USA.



(888) 384-8881
(952) 475-8084



www.electrosea.com

U.S. and Foreign Patents Pending
REV A