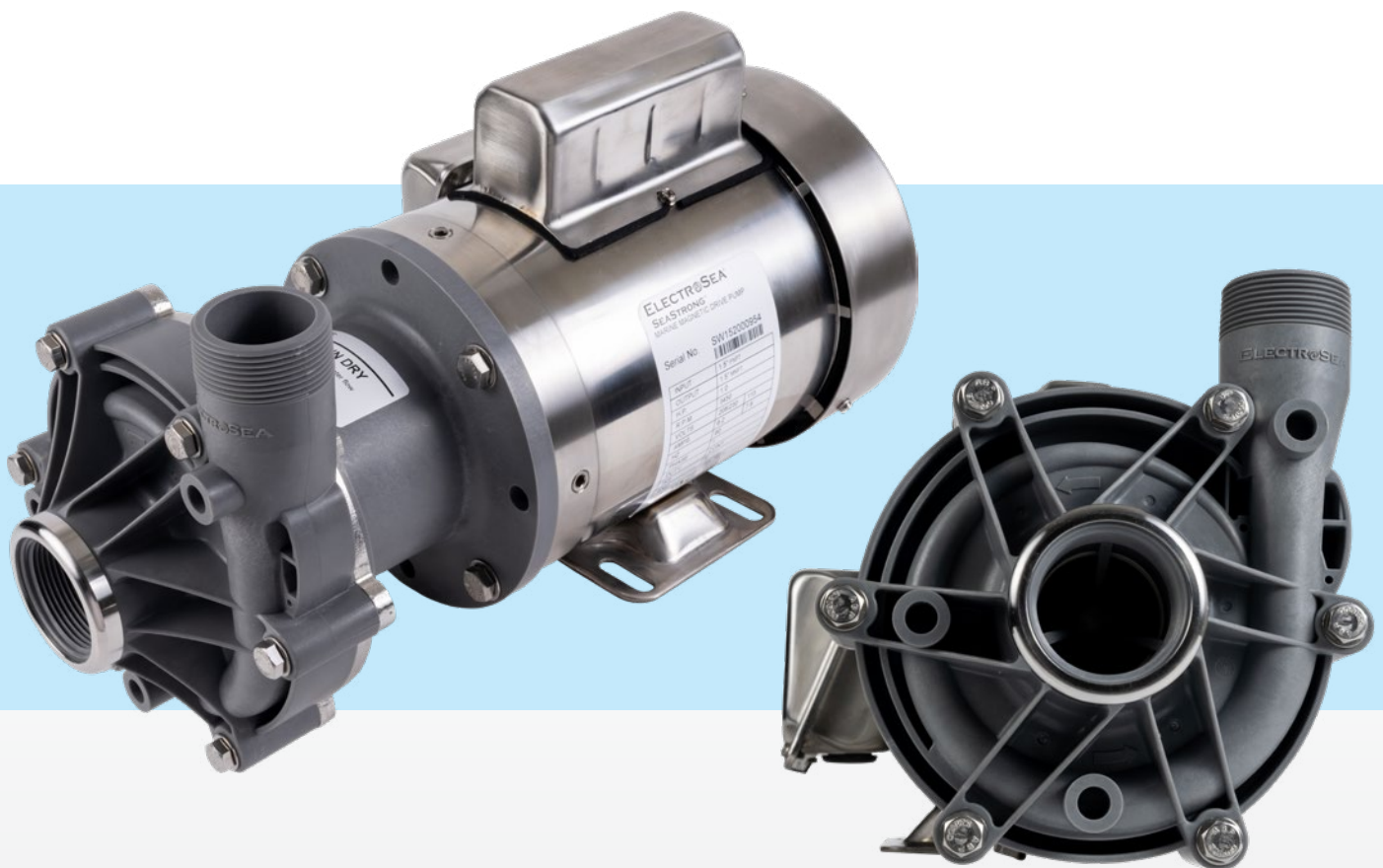


SEASTRONG® SILVER BULLET

RDP RUN DRY
PROTECTION



PUMP SELECTION GUIDE

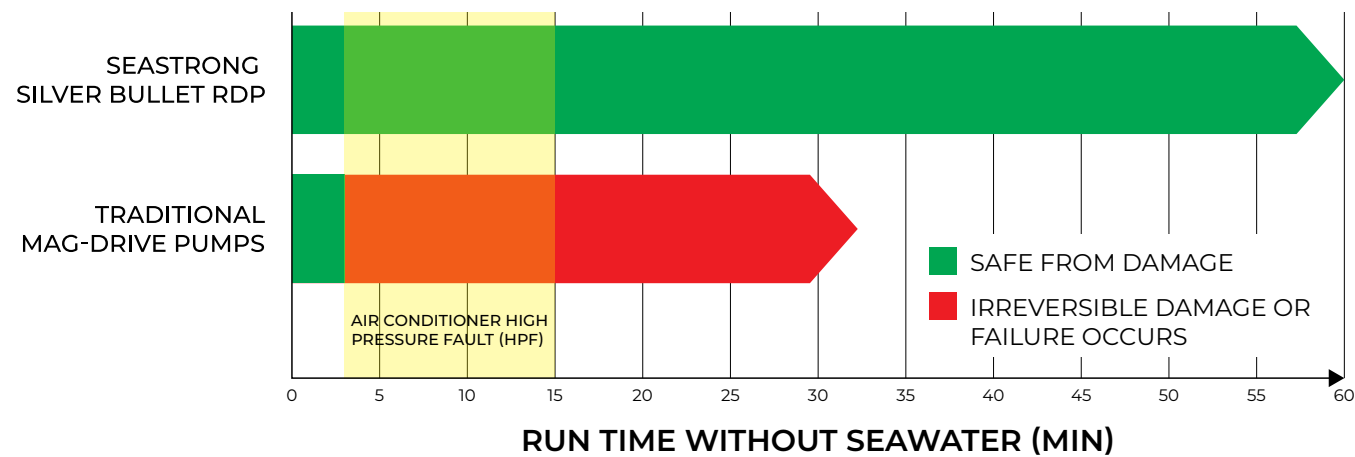
ULTIMATE SEALLESS MARINE PUMP

WARRANTIED AGAINST RUN DRY

Running a pump dry, without seawater for cooling, will cause premature wear and failure. Friction builds rapidly, generating intense heat that can melt or severely damage internal components. Traditional magnetic-drive pumps can fail in as little as three minutes, and even brief periods of running dry can cause cumulative damage that leads to premature pump failure.



WARRANTIED AGAINST RUN DRY WHEN USED WITH A MARINE A/C OR CHILLER*



*SeaStrong Silver Bullet RDP is warrantied against run dry when used in a seawater circuit with a marine air conditioner or chiller. SeaStrong Silver Bullet RDP-30, 45, 62, 75 and 100 have a warranty period of 60 minutes, and SeaStrong Silver Bullet RDP-137 and 150 have a warranty period of 15 minutes.**

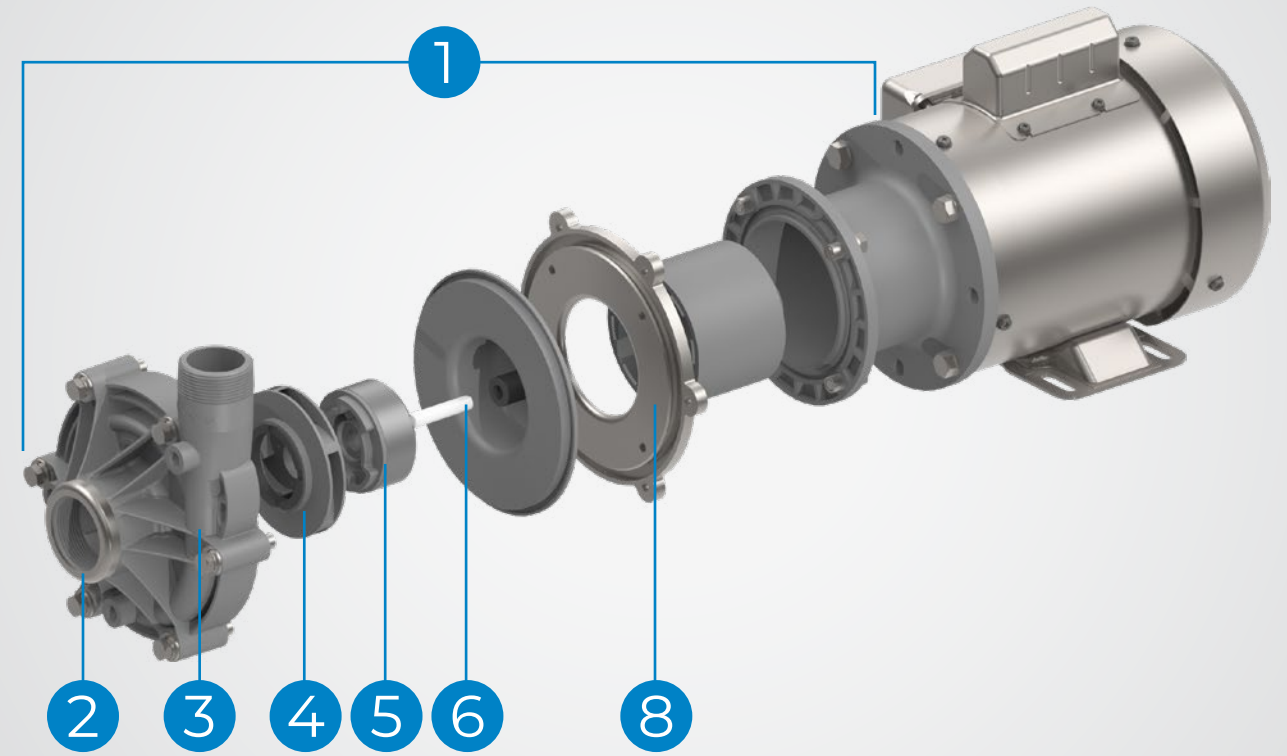
SeaStrong Silver Bullet RDP sealless magnetic-drive pumps offers extreme Run-Dry Protection thanks to extremely low heat generation. The patent-pending design incorporating proprietary materials creates less heat and dissipates it efficiently for extended life span.

Here's why it matters: Marine air conditioners rely on flowing seawater for heat exchange in the condenser. A loss of seawater flow by the pump triggers a high-pressure fault (HPF), shutting down the air conditioner. However, this shut-down process can take 3 to 15 minutes, a critical window during which the pump can be severely damaged or fail completely.

ElectroSea's new, patent-pending Run-Dry Protection technology allows the pump to withstand run-dry conditions far beyond the air conditioner's typical shut-down time. This extended Run-Dry Protection prevents the risk of damage or failure during this vulnerable period.

SeaStrong Silver Bullet RDP is designed, assembled, and quality-control tested in-house by our engineering and manufacturing teams at our headquarters in USA. SeaStrong Silver Bullet RDP is backed by ElectroSea's 2-year parts and labor warranty.*

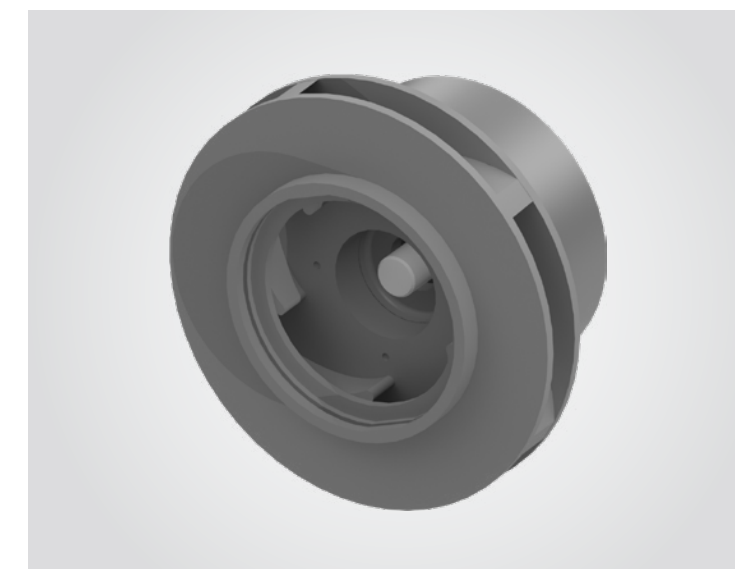
*Please visit our website to view our full Warranty terms and conditions: www.electrosea.com/warranty



ANATOMY OF INNOVATION: BLUEPRINT FOR PERFORMANCE

Experience unmatched performance and reliability with SeaStrong Silver Bullet RDP. Our patent-pending pump design includes these key features:

1. Sealless magnetic drive
2. Reinforced inlet prevents cracking
3. Advanced pump head prevents marine growth
4. Non-metallic impeller for long life
5. Sealed magnet for maximum drive
6. Ultra-low friction shaft and bushings
7. Composite pump head with no metallic parts
8. 316L stainless prevents corrosion
9. Rotatable pump head for flexibility

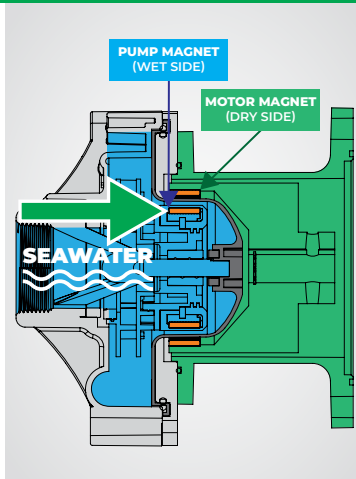


The long-lasting composite impeller will not wear out or corrode over time, allowing the highly efficient impeller to provide the high flow that is ideal for air conditioners, chillers, and livewells.

ADVANCED FEATURES FOR

SEASTRONG SILVER BULLET RDP

SeaStrong's sealless magnetic-coupled design has no mechanical shaft seal and will not leak.



OTHER MARINE PUMPS

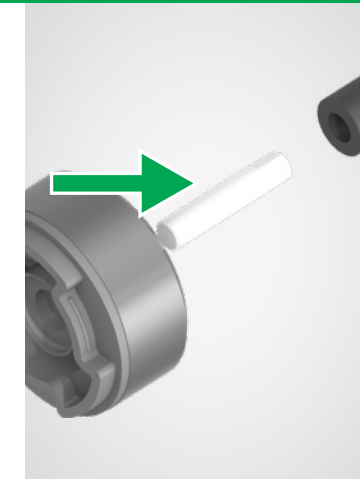


Traditional direct-drive pumps leak at the shaft seal causing them to fail.

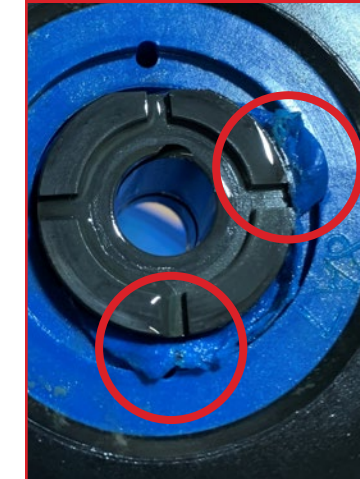
RELIABLE SEAWATER PERFORMANCE

SEASTRONG SILVER BULLET RDP

The patent-pending design incorporating proprietary materials creates less heat and dissipates it efficiently for extended life span.

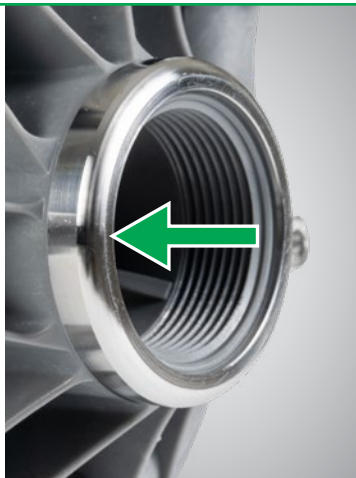


OTHER MARINE PUMPS



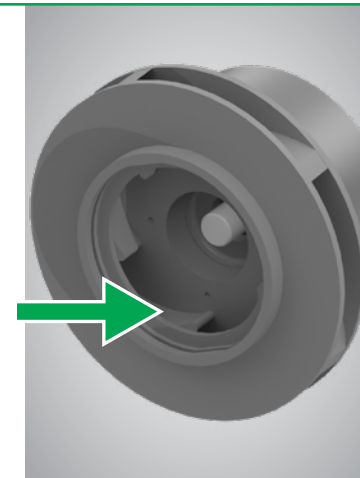
Lower-grade composites are more susceptible to overheating, premature wear, and failure due to friction.

A reinforced inlet ring that is molded into the pump head and made from (316L) stainless provides extra strength at the connection point to prevent cracking.



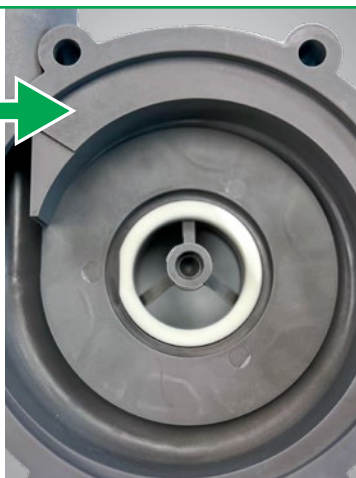
Unreinforced heads crack if excessive force is used or the threads are compromised.

The glass-fiber reinforced composite pump head has no metallic parts in the seawater fluid path that can corrode or fail.



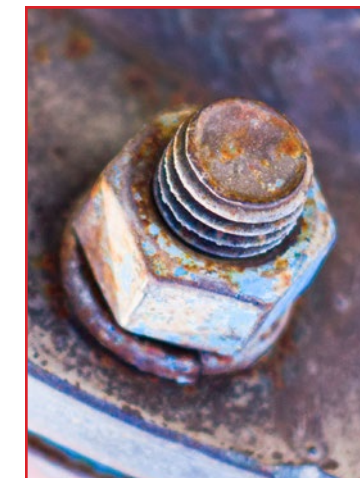
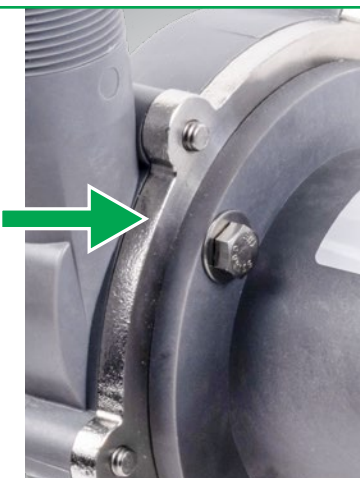
Metallic parts in the seawater fluid path are susceptible to corrosion, erosion, cavitation, and eventual failure.

The advanced pump head has no low-flow or dead spaces, preventing unwanted marine growth.



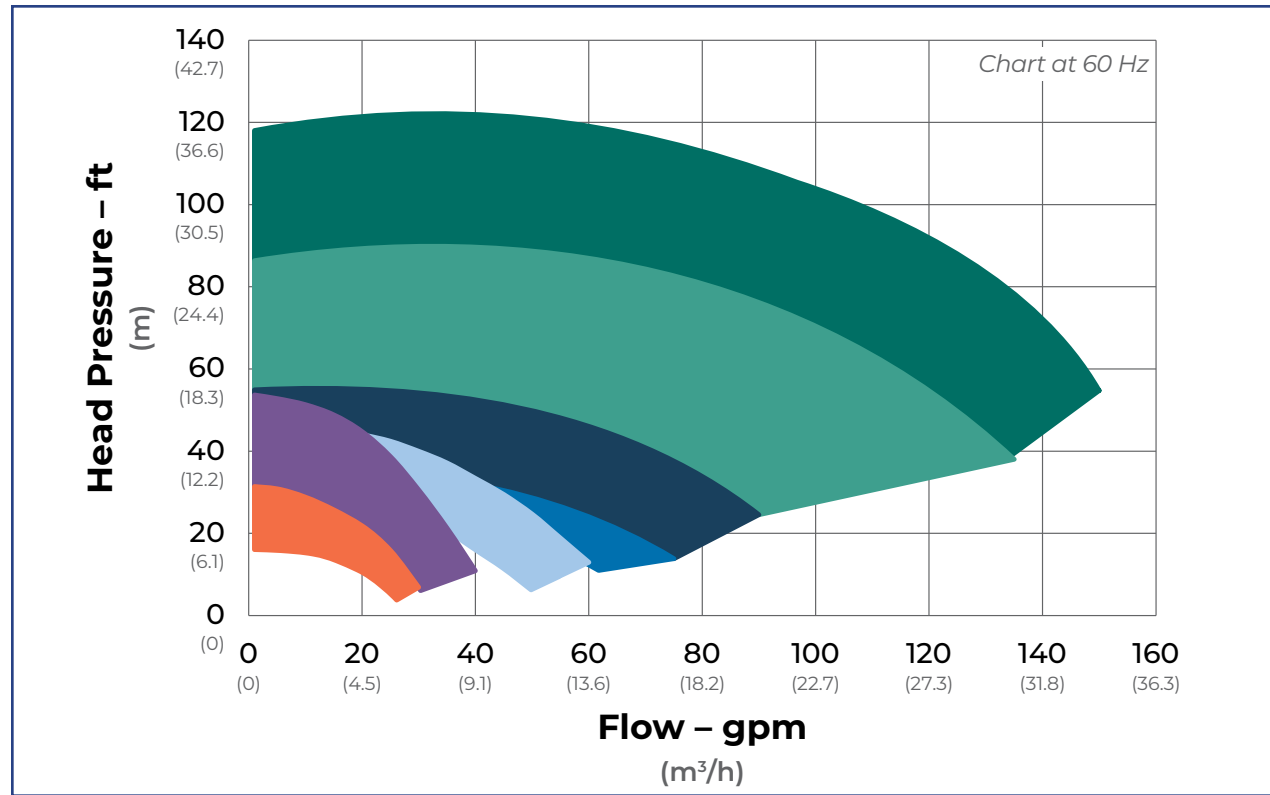
Other pump-head designs facilitate marine growth with low-flow or dead spots.

The high-grade (316L) stainless motor-to-pump connection plate and (316L) hardware prevents corrosion and keeps your pump in tip-top shape.



Other pumps use low-grade painted steel hardware that is not made for the marine environment.

MODEL SERIES COVERAGE CHART



MODEL SERIES	MAX FLOW (gpm) @ 60 Hz	MAX HEAD (ft) @ 60 Hz	MAX FLOW (m³/h) @ 50 Hz	MAX HEAD (m) @ 50 Hz
RDP-030	30	31	5.7	6.7
RDP-045	40	54	6.8	11.4
RDP-062	60	46	11.4	9.7
RDP-075	75	35	13.6	7.8
RDP-100	95	59	19.3	12.6
RDP-137	135	90	28.4	20.4
RDP-150	150	121	30.7	26.1

MODEL NUMBER KEY

RDP-150M-2373D-575-5T

A
B
C
D
E
F
G

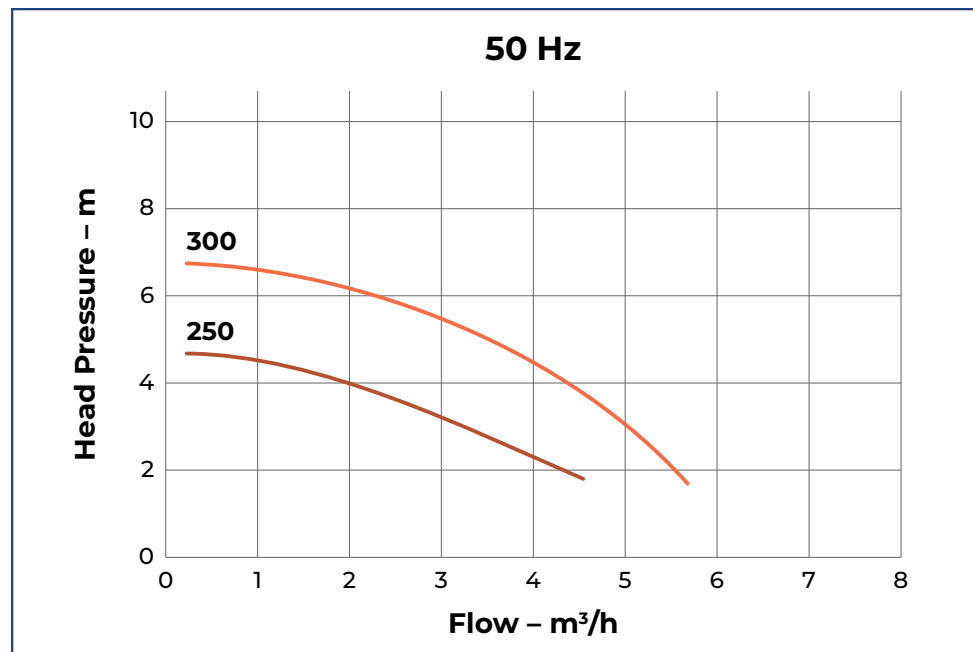
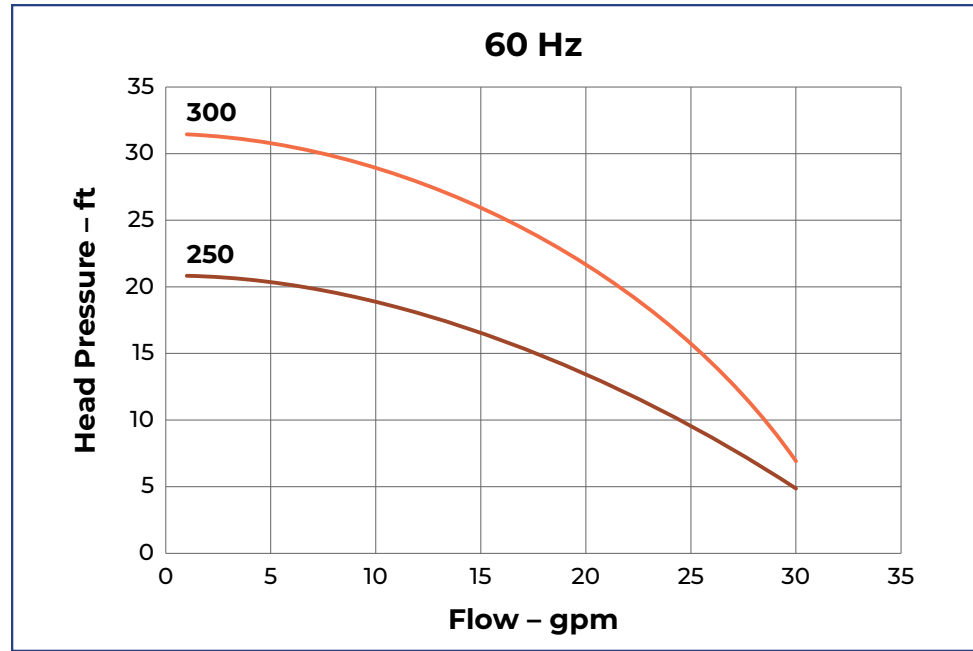
- A. Run-Dry Protection
- B. Family series
- C. Voltage (11 = 115 V; 23 = 230 V)
- D. Number of phases (1 or 3)
- E. Dual voltage (D for dual voltage; blank for single voltage)
- F. Impeller size
- G. Motor horsepower (½, 1, 1½, 2, 3, or 5)

25 MODELS TO FIT YOUR BOAT

	MODEL	INLET (FNPT)	OUTLET (MNPT)	MAX FLOW (gpm)	MAX HEAD (ft)	VOLTAGE	PH	HP	AMPS
RDP-030 SERIES	RDP-030M-1171-250-1/2T	1.0"	1.0"	28	21	115	1	0.5	7.6
	RDP-030M-2371-250-1/2T	1.0"	1.0"	28	21	230	1	0.5	3.8
	RDP-030M-1171-300-1/2T	1.0"	1.0"	30	31	115	1	0.5	7.6
	RDP-030M-2371-300-1/2T	1.0"	1.0"	30	31	230	1	0.5	3.8
RDP-045 SERIES	RDP-045M-1171-340-1/2T	1.0"	1.0"	35	38	115	1	0.5	7.6
	RDP-045M-2371-340-1/2T	1.0"	1.0"	35	38	230	1	0.5	3.8
	RDP-045M-1171-362-1/2T	1.0"	1.0"	37	46	115	1	0.5	7.6
	RDP-045M-2371-362-1/2T	1.0"	1.0"	37	46	230	1	0.5	3.8
	RDP-045M-1171-390-1/2T	1.0"	1.0"	40	54	115	1	0.5	7.6
	RDP-045M-2371-390-1/2T	1.0"	1.0"	40	54	230	1	0.5	3.8
RDP-062 SERIES	RDP-062M-1171-350-1/2T	1.5"	1.0"	55	37	115	1	0.5	7.6
	RDP-062M-2371-350-1/2T	1.5"	1.0"	55	37	230	1	0.5	3.8
	RDP-062M-1171-360-1/2T	1.5"	1.0"	60	46	115	1	0.5	7.6
	RDP-062M-2371-360-1/2T	1.5"	1.0"	60	46	230	1	0.5	3.8
RDP-075 SERIES	RDP-075M-1171-338-1/2T	1.5"	1.5"	75	35	115	1	0.5	7.6
	RDP-075M-2371-338-1/2T	1.5"	1.5"	75	35	230	1	0.5	3.8
RDP-100 SERIES	RDP-100M-1171D-350-1T	1.5"	1.5"	85	43	115/230	1	1	12.4/6.2
	RDP-100M-1171D-375-1T	1.5"	1.5"	90	52	115/230	1	1	12.4/6.2
	RDP-100M-1171D-400-1T	1.5"	1.5"	95	59	115/230	1	1	12.4/6.2
RDP-137 SERIES	RDP-137M-1171D-410-1 1/2T	2.0"	1.5"	95	57	115/230	1	1.5	16.4/8.5
	RDP-137M-1171D-438-1 1/2T	2.0"	1.5"	105	65	115/230	1	1.5	16.4/8.5
	RDP-137M-1171D-463-2T	2.0"	1.5"	115	74	115/230	1	2	19.0/9.5
	RDP-137M-2373D-488-3T	2.0"	1.5"	135	90	230/460	3	3	7.2/3.6
RDP-150 SERIES	RDP-150M-2373D-525-5T	2.0"	2.0"	145	103	230/460	3	5	11.0/5.5
	RDP-150M-2373D-575-5T	2.0"	2.0"	150	121	230/460	3	5	11.0/5.5

NOTE: Electrical characteristics shown at 60 Hz. Motor derated at 50 Hz.

SERIES RDP-030



TECHNICAL DATA

- 1" Inlet / 1" Outlet (NPT)
- 0.5 hp
- Max Flow: 30 gpm
- Max Head: 31 ft

RDP-030M-1171-250-1/2T RDP-030M-2371-250-1/2T

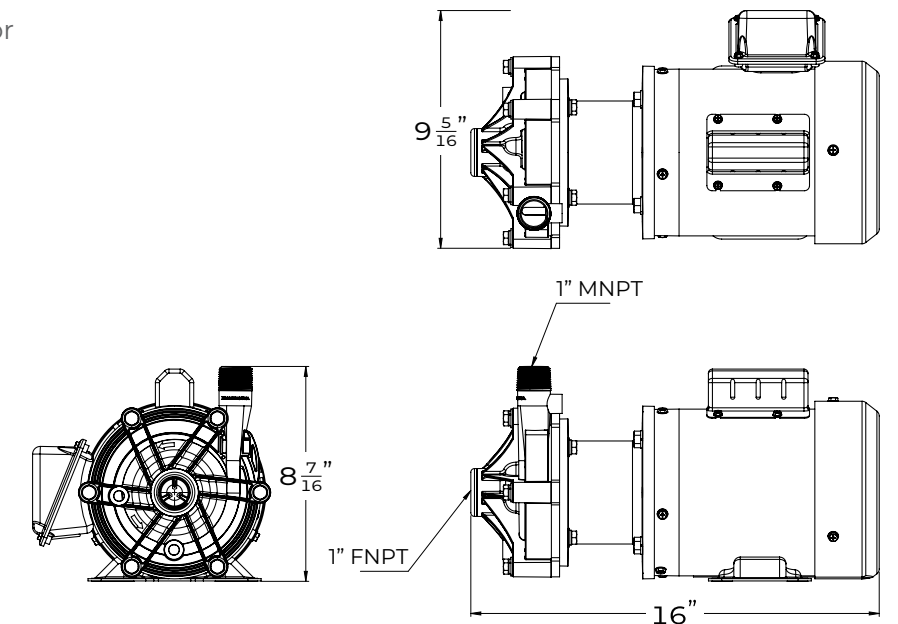
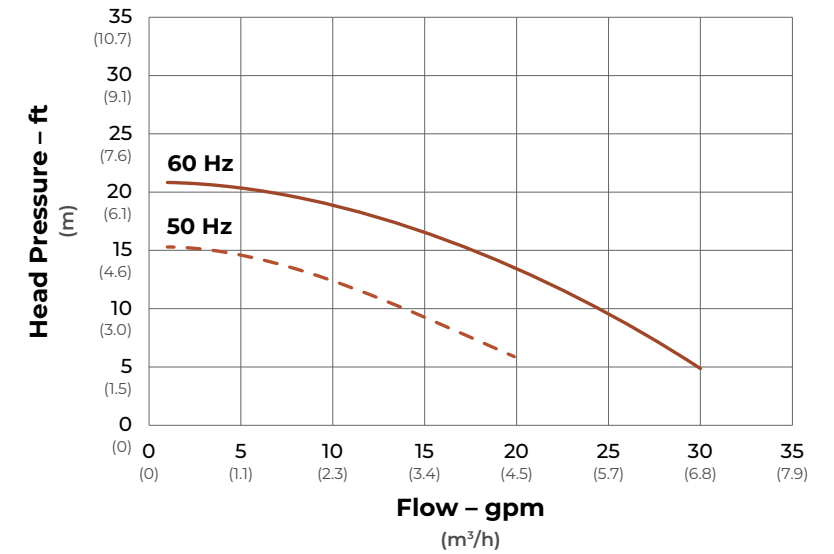
ElectroSea's SeaStrong Silver Bullet RDP pump features a sealless magnetic drive to ensure reliable performance and unparalleled pump durability.

FEATURES

- Magnetic-drive, close-coupled design
- No shaft seals and 100% leak free
- Patent-pending design and proprietary materials create less heat and dissipate it efficiently for extended life span
- Super-strong neodymium magnets
- Composite pump head and impeller with no metallic parts in fluid path
- CFD design with no low-flow areas
- 316L-reinforced molded inlet ring
- Rotatable pump head
- 316L stainless hardware
- IP55, stainless-steel washdown motor
- 50/60 Hz dual frequency

SPECIFICATIONS

Max Flow	28 gpm
Max Head	21 ft
Inlet	1" FNPT
Outlet	1" MNPT
Voltage	115/208-230 VAC
Phase	1
Horsepower	0.5
Current	7.6/3.8 amps
Frequency	50 or 60 Hz



MODEL	INLET (FNPT)	OUTLET (MNPT)	VOLTAGE	PHASE	HP	AMPS
RDP-030M-1171-250-1/2T	1.0"	1.0"	115	1	0.5	7.6
RDP-030M-2371-250-1/2T	1.0"	1.0"	230	1	0.5	3.8

NOTE: Electrical characteristics shown at 60 Hz. Motor derated at 50 Hz.

RDP-030M-1171-300-1/2T

RDP-030M-2371-300-1/2T

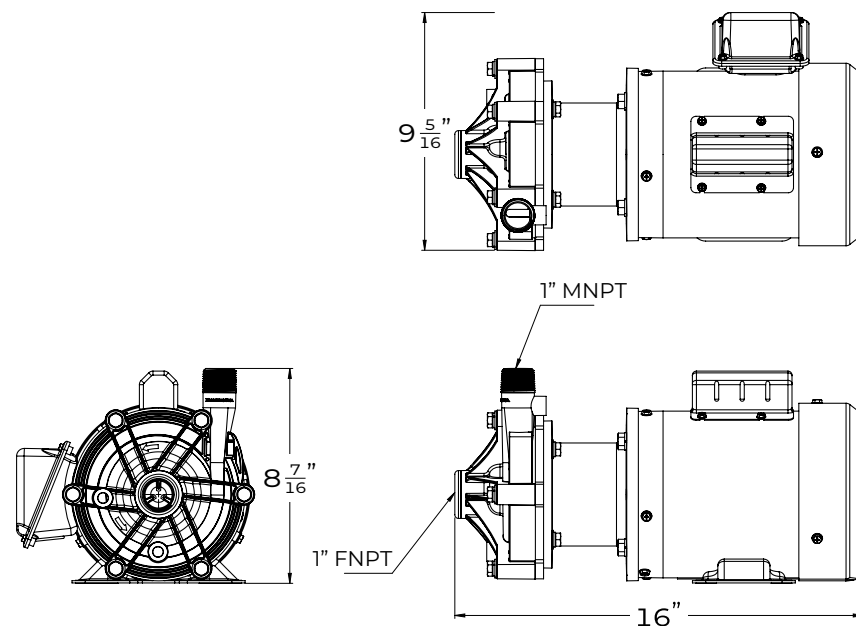
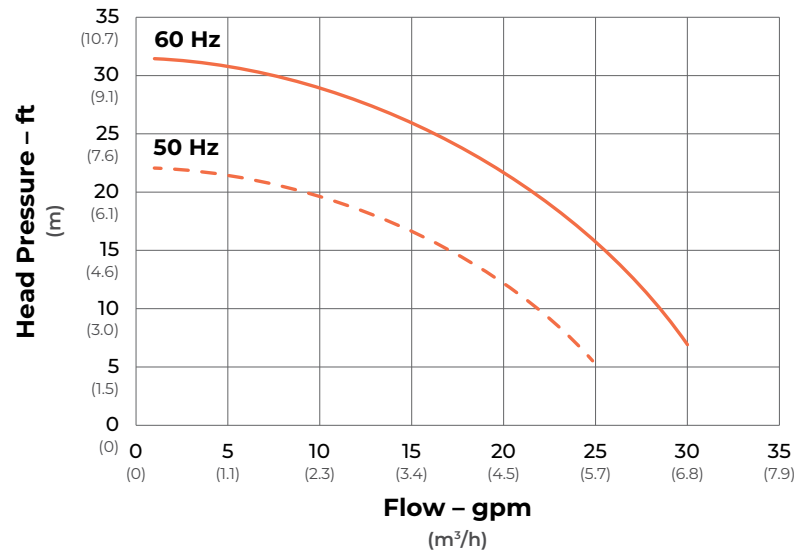
ElectroSea's SeaStrong Silver Bullet RDP pump features a sealless magnetic drive to ensure reliable performance and unparalleled pump durability.

FEATURES

- Magnetic-drive, close-coupled design
- No shaft seals and 100% leak free
- Patent-pending design and proprietary materials create less heat and dissipate it efficiently for extended life span
- Super-strong neodymium magnets
- Composite pump head and impeller with no metallic parts in fluid path
- CFD design with no low-flow areas
- 316L-reinforced molded inlet ring
- Rotatable pump head
- 316L stainless hardware
- IP55, stainless-steel washdown motor
- 50/60 Hz dual frequency

SPECIFICATIONS

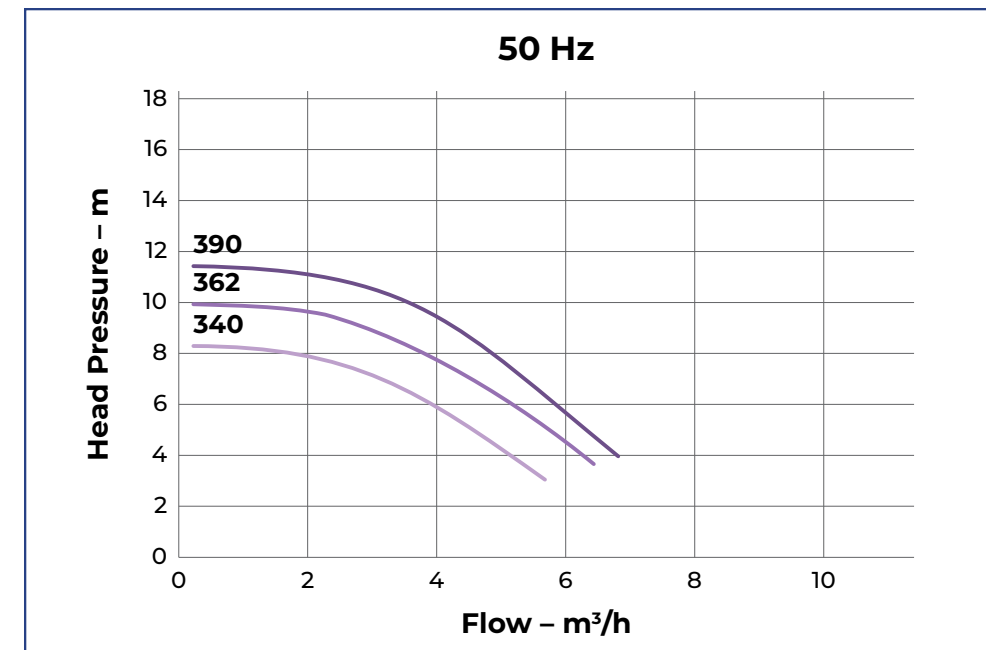
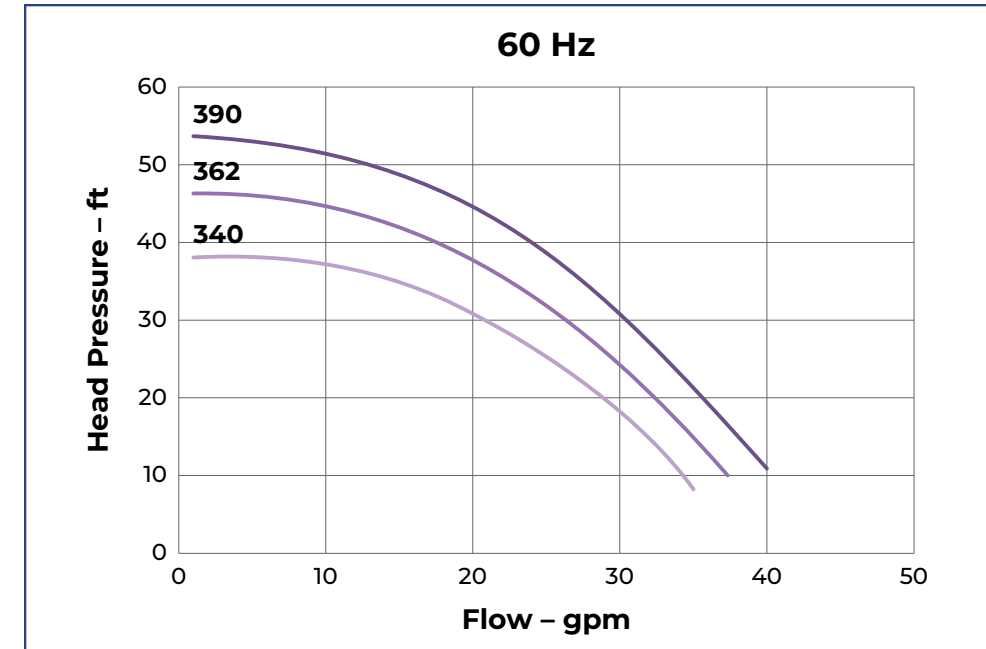
Max Flow	30 gpm
Max Head	31 ft
Inlet	1" FNPT
Outlet	1" MNPT
Voltage	115/208-230 VAC
Phase	1
Horsepower	0.5
Current	7.6/3.8 amps
Frequency	50 or 60 Hz



MODEL	INLET (FNPT)	OUTLET (MNPT)	VOLTAGE	PHASE	HP	AMPS
RDP-030M-1171-300-1/2T	1.0"	1.0"	115	1	0.5	7.6
RDP-030M-2371-300-1/2T	1.0"	1.0"	230	1	0.5	3.8

NOTE: Electrical characteristics shown at 60 Hz. Motor derated at 50 Hz.

SERIES RDP-045



TECHNICAL DATA

- 1" Inlet / 1" Outlet (NPT)
- 0.5 hp
- Max Flow: 40 gpm
- Max Head: 54 ft

RDP-045M-1171-340-1/2T

RDP-045M-2371-340-1/2T

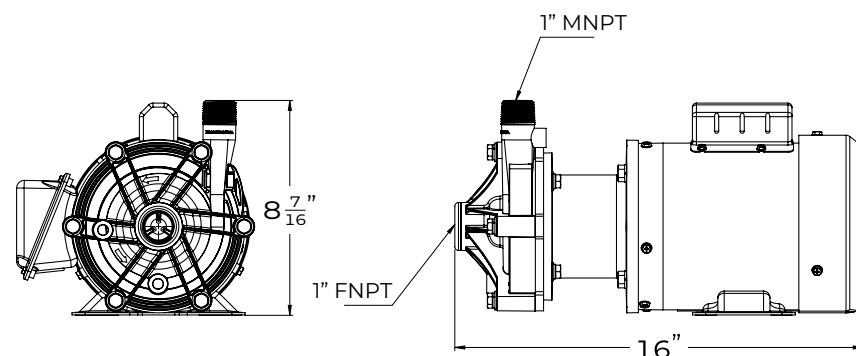
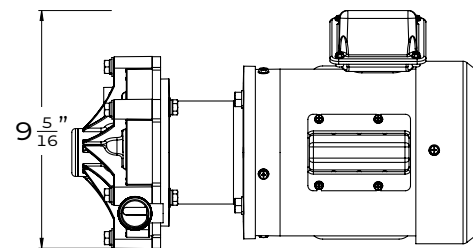
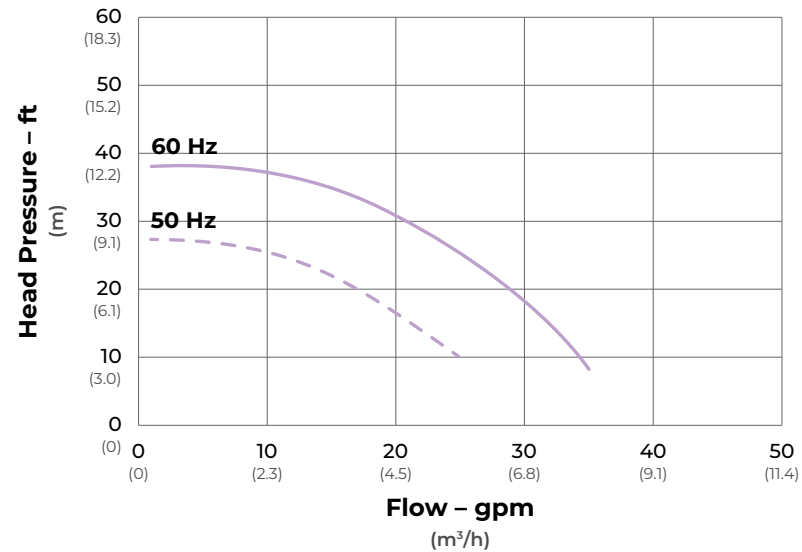
ElectroSea's SeaStrong Silver Bullet RDP pump features a sealless magnetic drive to ensure reliable performance and unparalleled pump durability.

FEATURES

- Magnetic-drive, close-coupled design
- No shaft seals and 100% leak free
- Patent-pending design and proprietary materials create less heat and dissipate it efficiently for extended life span
- Super-strong neodymium magnets
- Composite pump head and impeller with no metallic parts in fluid path
- CFD design with no low-flow areas
- 316L-reinforced molded inlet ring
- Rotatable pump head
- 316L stainless hardware
- IP55, stainless-steel washdown motor
- 50/60 Hz dual frequency

SPECIFICATIONS

Max Flow	35 gpm
Max Head	38 ft
Inlet	1" FNPT
Outlet	1" MNPT
Voltage	115/208-230 VAC
Phase	1
Horsepower	0.5
Current	7.6/3.8 amps
Frequency	50 or 60 Hz



MODEL	INLET (FNPT)	OUTLET (MNPT)	VOLTAGE	PHASE	HP	AMPS
RDP-045M-1171-340-1/2T	1.0"	1.0"	115	1	0.5	7.6
RDP-045M-2371-340-1/2T	1.0"	1.0"	230	1	0.5	3.8

NOTE: Electrical characteristics shown at 60 Hz. Motor derated at 50 Hz.

RDP-045M-1171-362-1/2T

RDP-045M-2371-362-1/2T

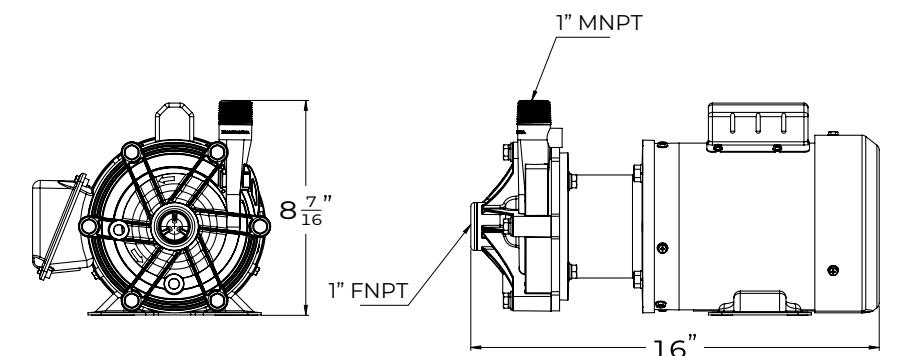
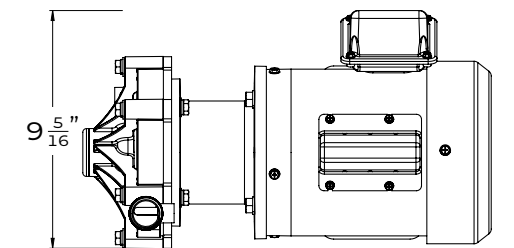
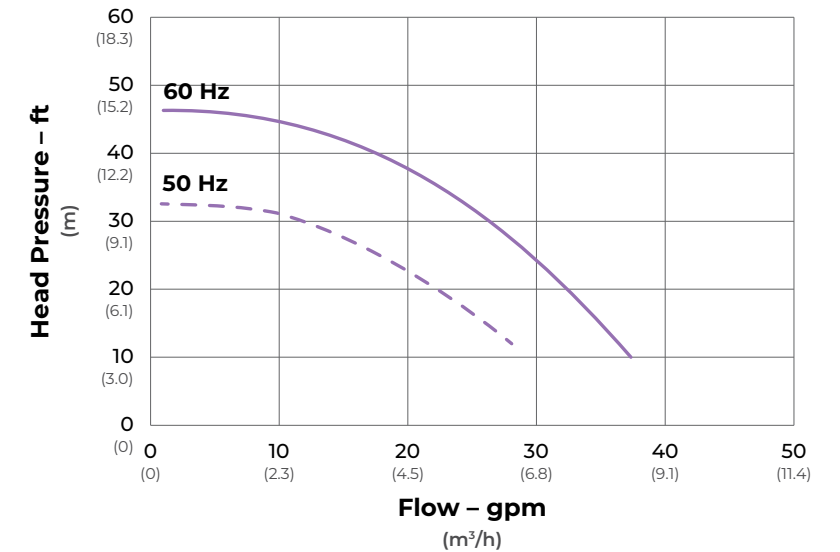
ElectroSea's SeaStrong Silver Bullet RDP pump features a sealless magnetic drive to ensure reliable performance and unparalleled pump durability.

FEATURES

- Magnetic-drive, close-coupled design
- No shaft seals and 100% leak free
- Patent-pending design and proprietary materials create less heat and dissipate it efficiently for extended life span
- Super-strong neodymium magnets
- Composite pump head and impeller with no metallic parts in fluid path
- CFD design with no low-flow areas
- 316L-reinforced molded inlet ring
- Rotatable pump head
- 316L stainless hardware
- IP55, stainless-steel washdown motor
- 50/60 Hz dual frequency

SPECIFICATIONS

Max Flow	37 gpm
Max Head	46 ft
Inlet	1" FNPT
Outlet	1" MNPT
Voltage	115/208-230 VAC
Phase	1
Horsepower	0.5
Current	7.6/3.8 amps
Frequency	50 or 60 Hz



MODEL	INLET (FNPT)	OUTLET (MNPT)	VOLTAGE	PHASE	HP	AMPS
RDP-045M-1171-362-1/2T	1.0"	1.0"	115	1	0.5	7.6
RDP-045M-2371-362-1/2T	1.0"	1.0"	230	1	0.5	3.8

NOTE: Electrical characteristics shown at 60 Hz. Motor derated at 50 Hz.

RDP-045M-1171-390-1/2T

RDP-045M-2371-390-1/2T

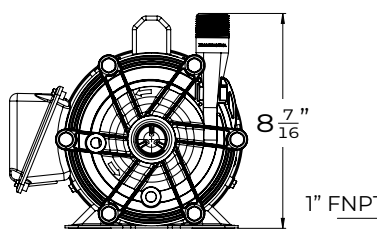
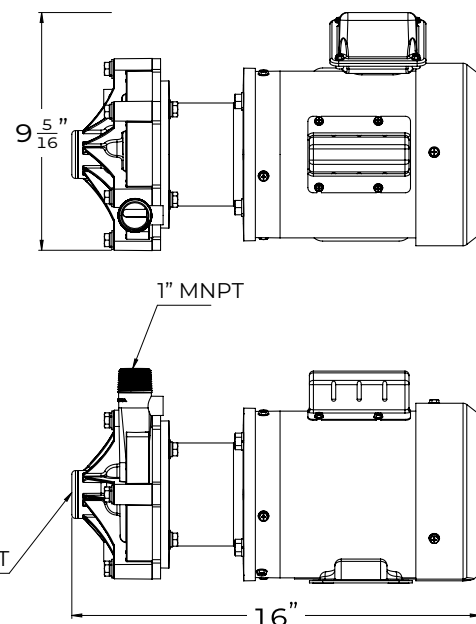
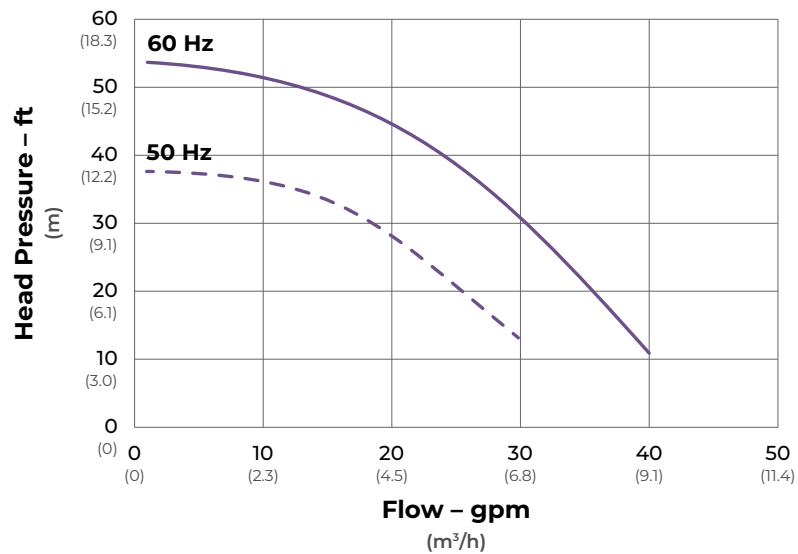
ElectroSea's SeaStrong Silver Bullet RDP pump features a sealless magnetic drive to ensure reliable performance and unparalleled pump durability.

FEATURES

- Magnetic-drive, close-coupled design
- No shaft seals and 100% leak free
- Patent-pending design and proprietary materials create less heat and dissipate it efficiently for extended life span
- Super-strong neodymium magnets
- Composite pump head and impeller with no metallic parts in fluid path
- CFD design with no low-flow areas
- 316L-reinforced molded inlet ring
- Rotatable pump head
- 316L stainless hardware
- IP55, stainless-steel washdown motor
- 50/60 Hz dual frequency

SPECIFICATIONS

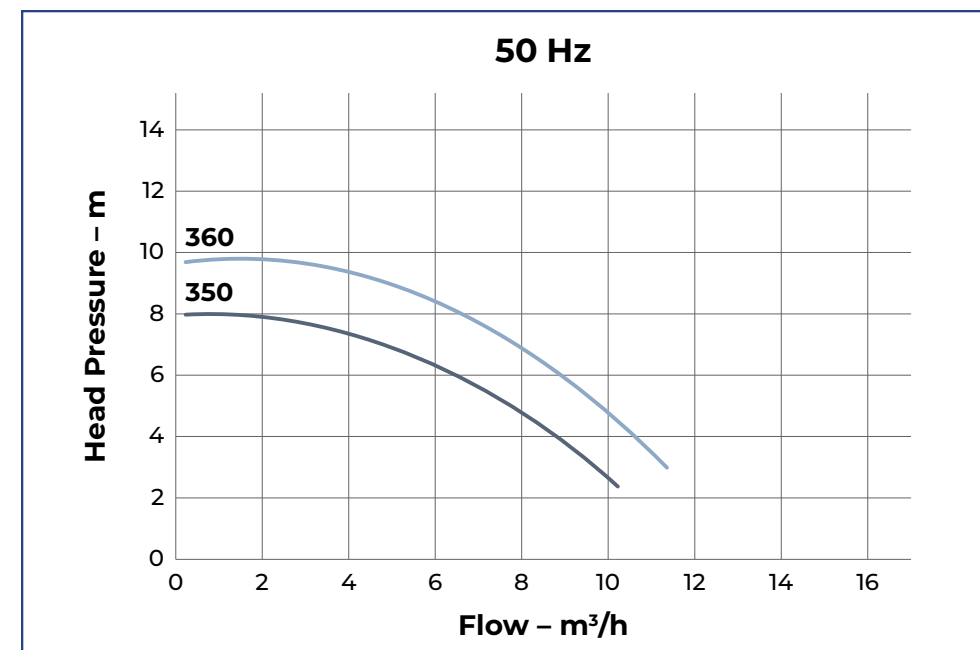
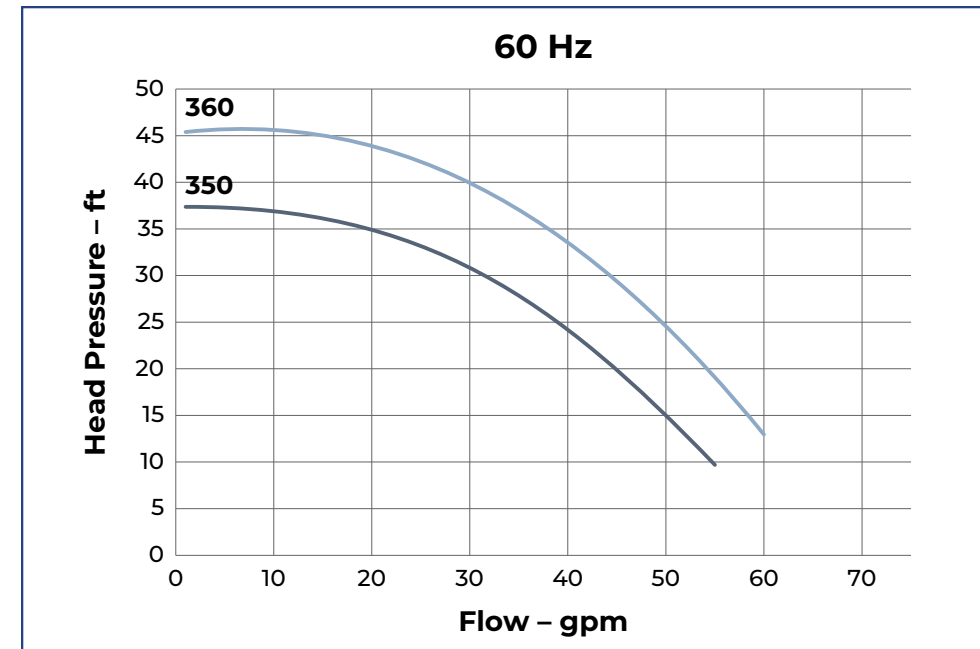
Max Flow	40 gpm
Max Head	54 ft
Inlet	1" FNPT
Outlet	1" MNPT
Voltage	115/208-230 VAC
Phase	1
Horsepower	0.5
Current	7.6/3.8 amps
Frequency	50 or 60 Hz



MODEL	INLET (FNPT)	OUTLET (MNPT)	VOLTAGE	PHASE	HP	AMPS
RDP-045M-1171-390-1/2T	1.0"	1.0"	115	1	0.5	7.6
RDP-045M-2371-390-1/2T	1.0"	1.0"	230	1	0.5	3.8

NOTE: Electrical characteristics shown at 60 Hz. Motor derated at 50 Hz.

SERIES RDP-062



TECHNICAL DATA

- 1.5" Inlet / 1" Outlet (NPT)
- 0.5 hp
- Max Flow: 60 gpm
- Max Head: 46 ft

RDP-062M-1171-350-1/2T

RDP-062M-2371-350-1/2T

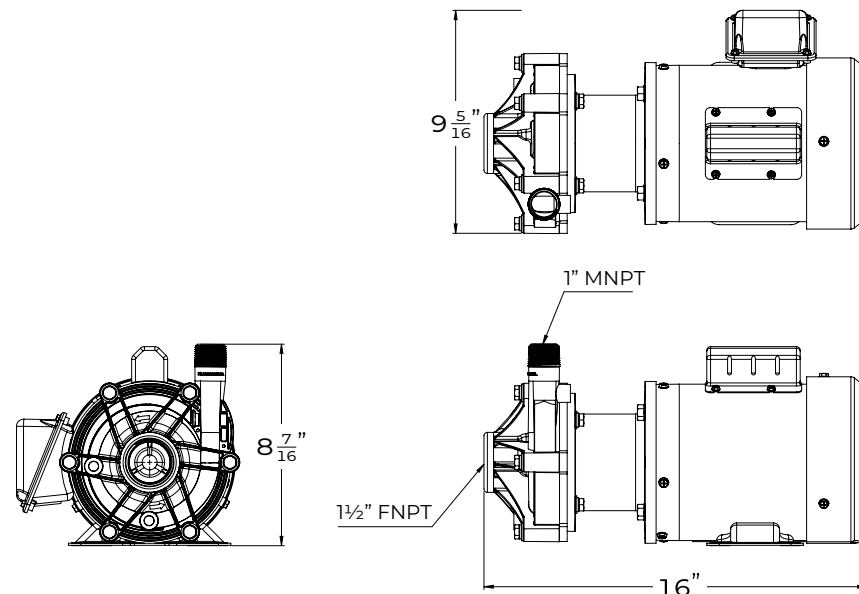
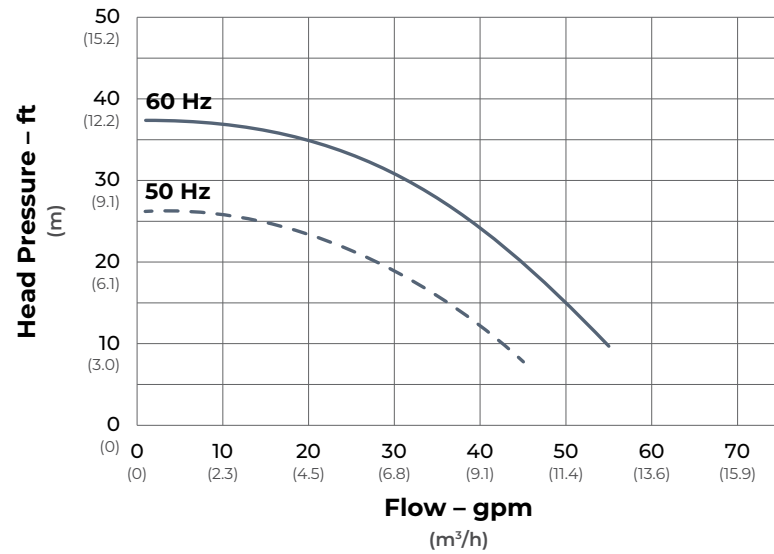
ElectroSea's SeaStrong Silver Bullet RDP pump features a sealless magnetic drive to ensure reliable performance and unparalleled pump durability.

FEATURES

- Magnetic-drive, close-coupled design
- No shaft seals and 100% leak free
- Patent-pending design and proprietary materials create less heat and dissipate it efficiently for extended life span
- Super-strong neodymium magnets
- Composite pump head and impeller with no metallic parts in fluid path
- CFD design with no low-flow areas
- 316L-reinforced molded inlet ring
- Rotatable pump head
- 316L stainless hardware
- IP55, stainless-steel washdown motor
- 50/60 Hz dual frequency

SPECIFICATIONS

Max Flow	55 gpm
Max Head	37 ft
Inlet	1.5" FNPT
Outlet	1" MNPT
Voltage	115/208-230 VAC
Phase	1
Horsepower	0.5
Current	7.6/3.8 amps
Frequency	50 or 60 Hz



MODEL	INLET (FNPT)	OUTLET (MNPT)	VOLTAGE	PHASE	HP	AMPS
RDP-062M-1171-350-1/2T	1.5"	1.0"	115	1	0.5	7.6
RDP-062M-2371-350-1/2T	1.5"	1.0"	230	1	0.5	3.8

NOTE: Electrical characteristics shown at 60 Hz. Motor derated at 50 Hz.

RDP-062M-1171-360-1/2T

RDP-062M-2371-360-1/2T

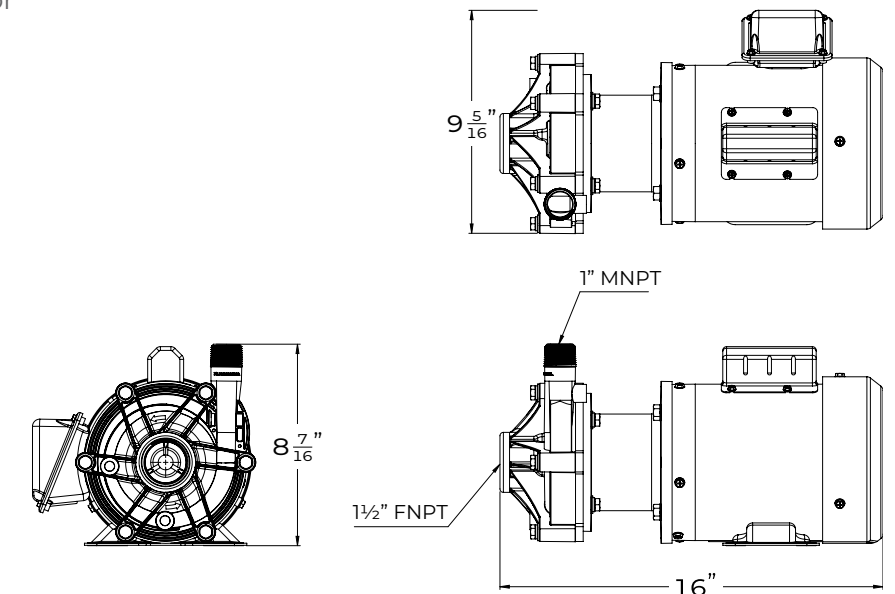
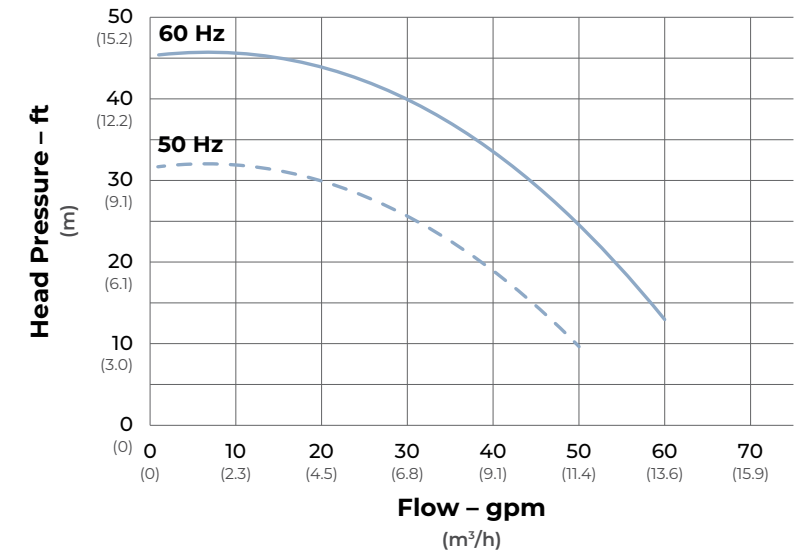
ElectroSea's SeaStrong Silver Bullet RDP pump features a sealless magnetic drive to ensure reliable performance and unparalleled pump durability.

FEATURES

- Magnetic-drive, close-coupled design
- No shaft seals and 100% leak free
- Patent-pending design and proprietary materials create less heat and dissipate it efficiently for extended life span
- Super-strong neodymium magnets
- Composite pump head and impeller with no metallic parts in fluid path
- CFD design with no low-flow areas
- 316L-reinforced molded inlet ring
- Rotatable pump head
- 316L stainless hardware
- IP55, stainless-steel washdown motor
- 50/60 Hz dual frequency

SPECIFICATIONS

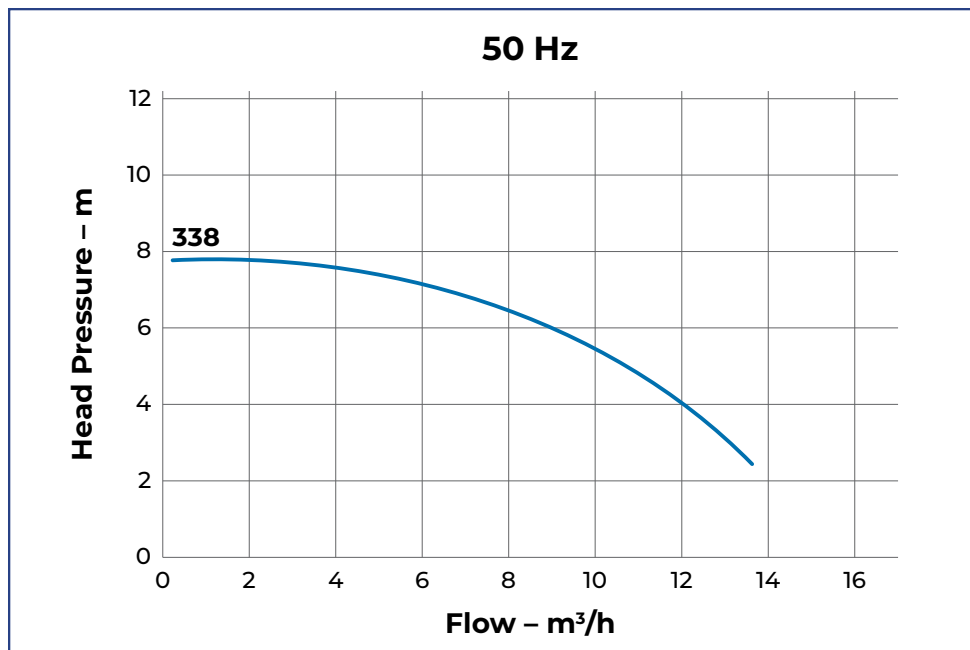
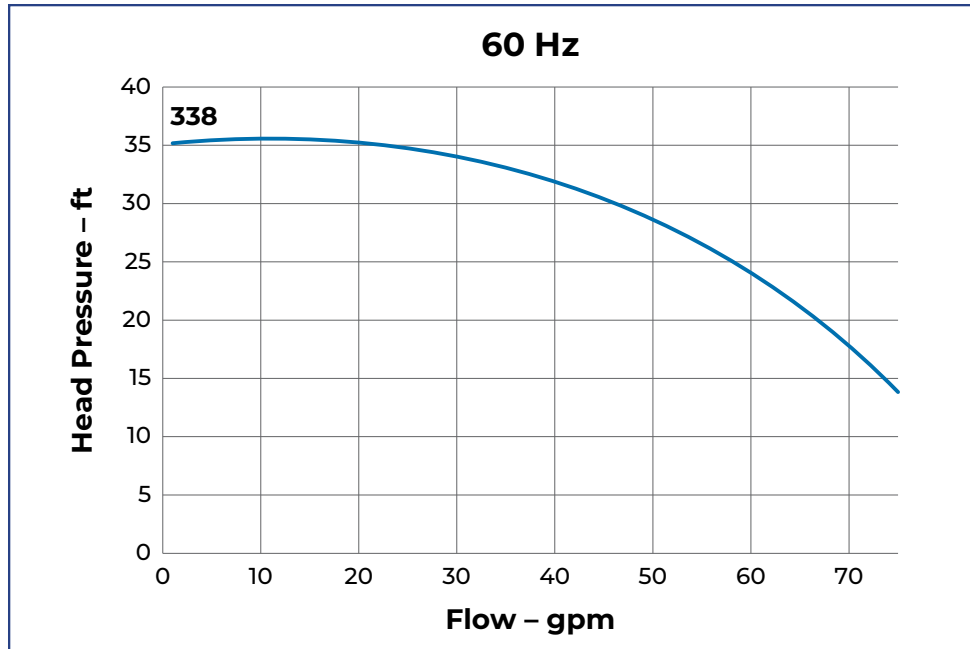
Max Flow	60 gpm
Max Head	46 ft
Inlet	1.5" FNPT
Outlet	1" MNPT
Voltage	115/208-230 VAC
Phase	1
Horsepower	0.5
Current	7.6/3.8 amps
Frequency	50 or 60 Hz



MODEL	INLET (FNPT)	OUTLET (MNPT)	VOLTAGE	PHASE	HP	AMPS
RDP-062M-1171-360-1/2T	1.5"	1.0"	115	1	0.5	7.6
RDP-062M-2371-360-1/2T	1.5"	1.0"	230	1	0.5	3.8

NOTE: Electrical characteristics shown at 60 Hz. Motor derated at 50 Hz.

SERIES RDP-075



TECHNICAL DATA

- 1.5" Inlet / 1.5" Outlet (NPT)
- 0.5 hp
- Max Flow: 75 gpm
- Max Head: 35 ft

RDP-075M-1171-338-1/2T RDP-075M-2371-338-1/2T

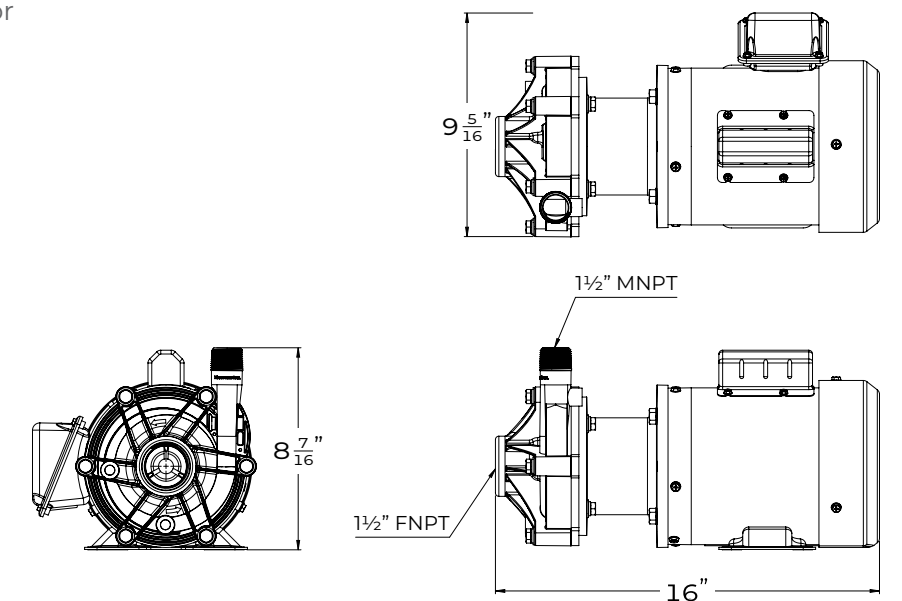
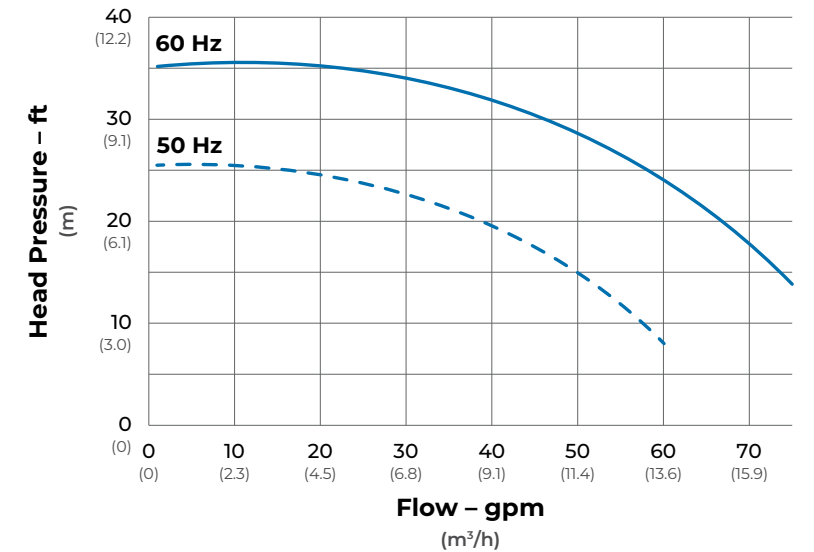
ElectroSea's SeaStrong Silver Bullet RDP pump features a sealless magnetic drive to ensure reliable performance and unparalleled pump durability.

FEATURES

- Magnetic-drive, close-coupled design
- No shaft seals and 100% leak free
- Patent-pending design and proprietary materials create less heat and dissipate it efficiently for extended life span
- Super-strong neodymium magnets
- Composite pump head and impeller with no metallic parts in fluid path
- CFD design with no low-flow areas
- 316L-reinforced molded inlet ring
- Rotatable pump head
- 316L stainless hardware
- IP55, stainless-steel washdown motor
- 50/60 Hz dual frequency

SPECIFICATIONS

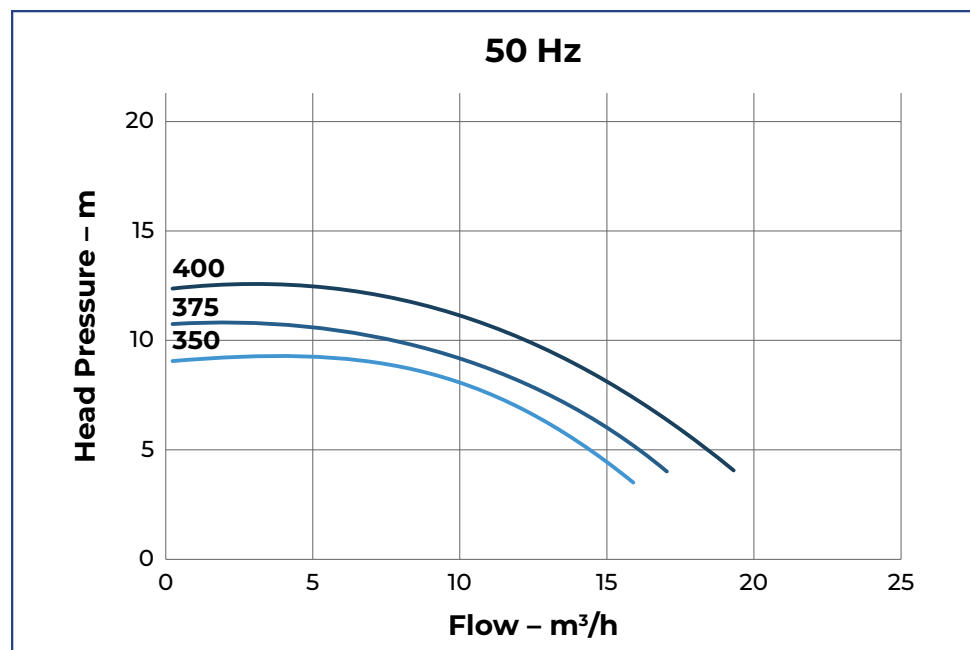
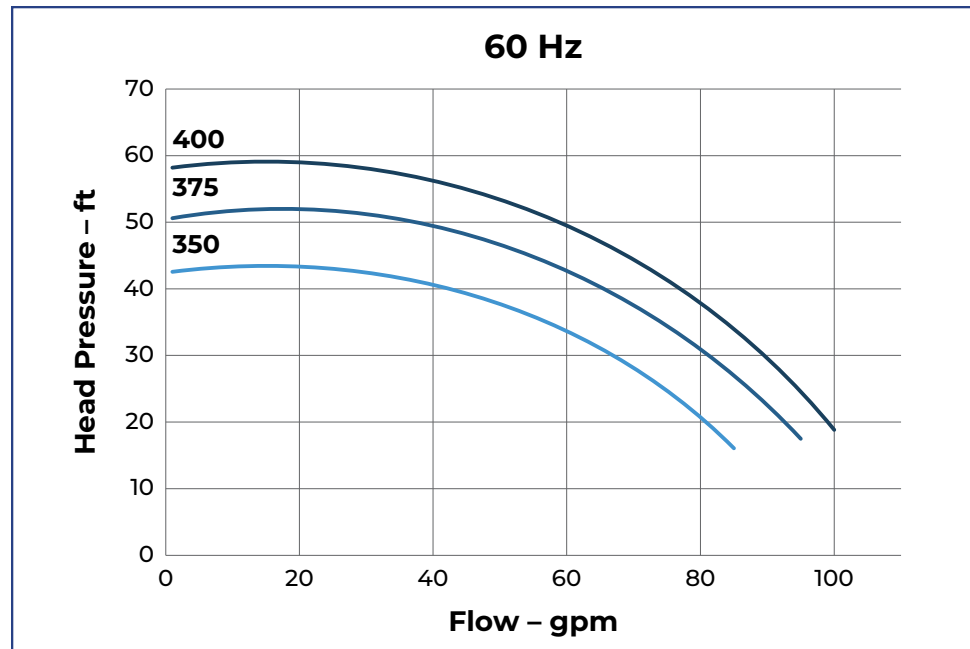
Max Flow	75 gpm
Max Head	35 ft
Inlet	1.5" FNPT
Outlet	1.5" MNPT
Voltage	115/208-230 VAC
Phase	1
Horsepower	0.5
Current	7.6/3.8 amps
Frequency	50 or 60 Hz



MODEL	INLET (FNPT)	OUTLET (MNPT)	VOLTAGE	PHASE	HP	AMPS
RDP-075M-1171-338-1/2T	1.5"	1.5"	115	1	0.5	7.6
RDP-075M-2371-338-1/2T	1.5"	1.5"	230	1	0.5	3.8

NOTE: Electrical characteristics shown at 60 Hz. Motor derated at 50 Hz.

SERIES RDP-100



TECHNICAL DATA

- 1.5" Inlet / 1.5" Outlet (NPT)
- 1 hp
- Max Flow: 95 gpm
- Max Head: 59 ft

RDP-100M-1171D-350-1T

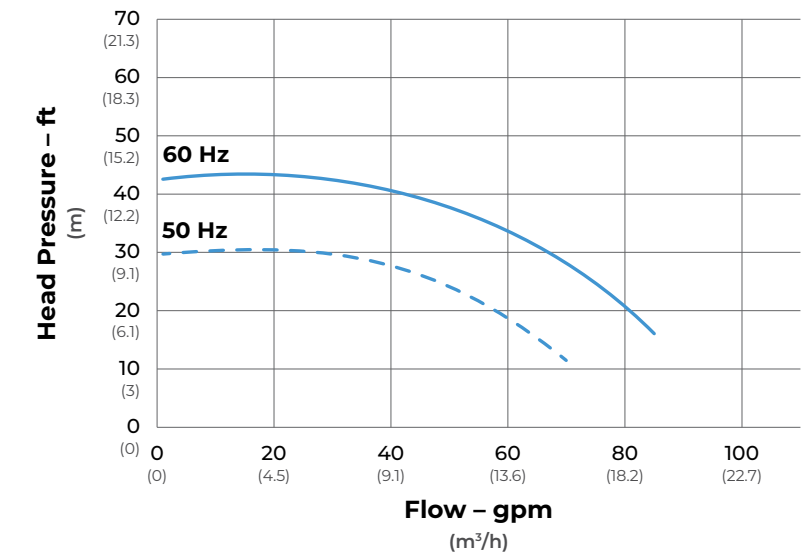
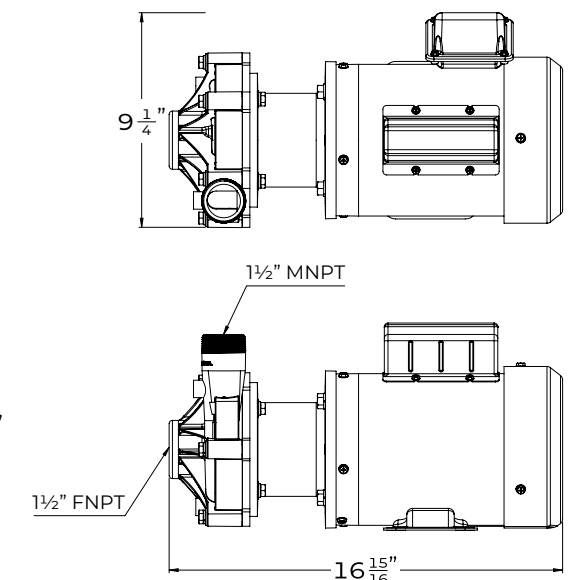
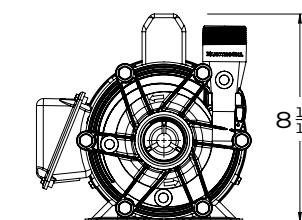
ElectroSea's SeaStrong Silver Bullet RDP pump features a sealless magnetic drive to ensure reliable performance and unparalleled pump durability.

FEATURES

- Magnetic-drive, close-coupled design
- No shaft seals and 100% leak free
- Patent-pending design and proprietary materials create less heat and dissipate it efficiently for extended life span
- Super-strong neodymium magnets
- Composite pump head and impeller with no metallic parts in fluid path
- CFD design with no low-flow areas
- 316L-reinforced molded inlet ring
- Rotatable pump head
- 316L stainless hardware
- IP55, stainless-steel washdown motor
- 50/60 Hz dual frequency

SPECIFICATIONS

Max Flow	85 gpm
Max Head	43 ft
Inlet	1.5" FNPT
Outlet	1.5" MNPT
Voltage	115/208-230 VAC
Phase	1
Horsepower	1
Current	12.4/6.2 amps
Frequency	50 or 60 Hz



MODEL	INLET (FNPT)	OUTLET (MNPT)	VOLTAGE	PHASE	HP	AMPS
RDP-100M-1171D-350-1T	1.5"	1.5"	115/230	1	1	12.4/6.2

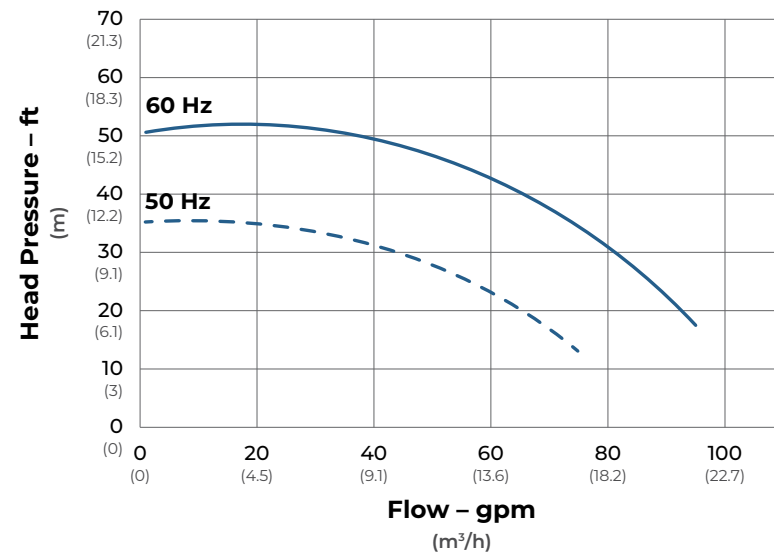
NOTE: Electrical characteristics shown at 60 Hz. Motor derated at 50 Hz.

RDP-100M-1171D-375-1T

ElectroSea's SeaStrong Silver Bullet RDP pump features a sealless magnetic drive to ensure reliable performance and unparalleled pump durability.

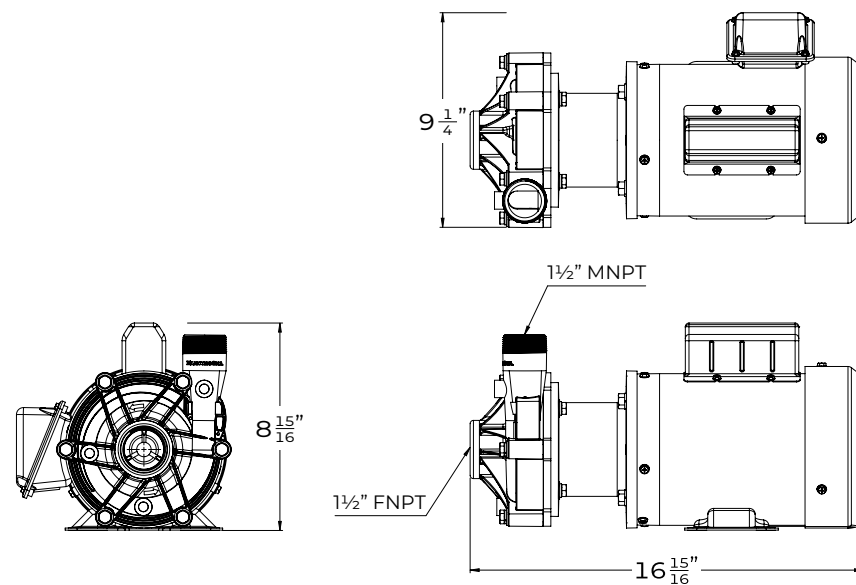
FEATURES

- Magnetic-drive, close-coupled design
- No shaft seals and 100% leak free
- Patent-pending design and proprietary materials create less heat and dissipate it efficiently for extended life span
- Super-strong neodymium magnets
- Composite pump head and impeller with no metallic parts in fluid path
- CFD design with no low-flow areas
- 316L-reinforced molded inlet ring
- Rotatable pump head
- 316L stainless hardware
- IP55, stainless-steel washdown motor
- 50/60 Hz dual frequency



SPECIFICATIONS

Max Flow	90 gpm
Max Head	52 ft
Inlet	1.5" FNPT
Outlet	1.5" MNPT
Voltage	115/208-230 VAC
Phase	1
Horsepower	1
Current	12.4/6.2 amps
Frequency	50 or 60 Hz



MODEL	INLET (FNPT)	OUTLET (MNPT)	VOLTAGE	PHASE	HP	AMPS
RDP-100M-1171D-375-1T	1.5"	1.5"	115/230	1	1	12.4/6.2

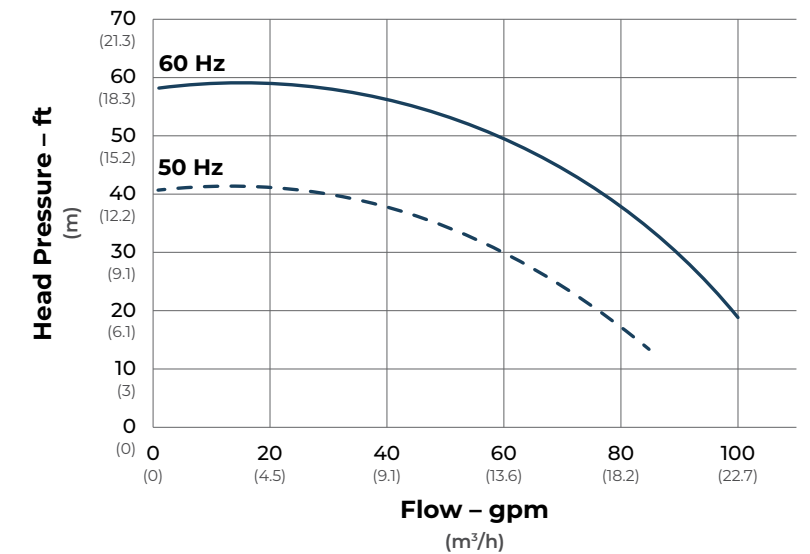
NOTE: Electrical characteristics shown at 60 Hz. Motor derated at 50 Hz.

RDP-100M-1171D-400-1T

ElectroSea's SeaStrong Silver Bullet RDP pump features a sealless magnetic drive to ensure reliable performance and unparalleled pump durability.

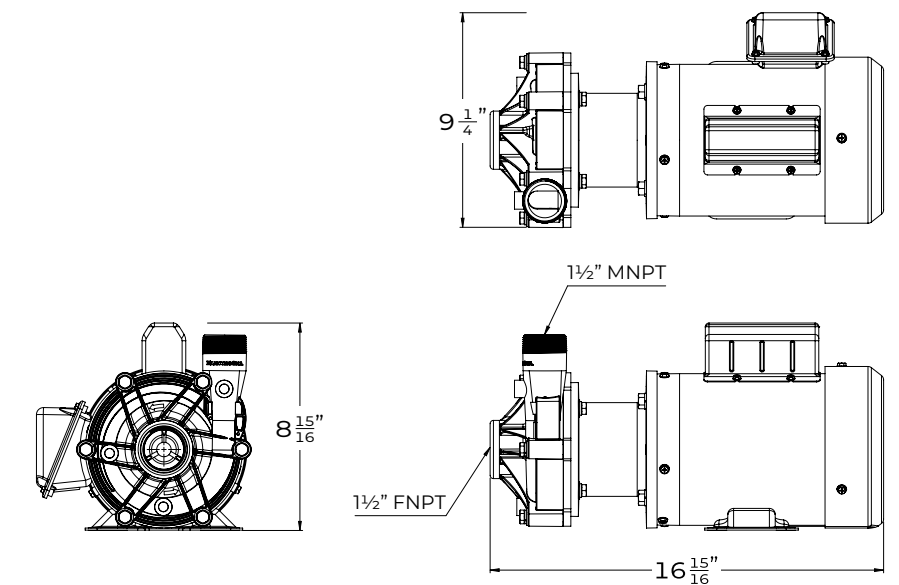
FEATURES

- Magnetic-drive, close-coupled design
- No shaft seals and 100% leak free
- Patent-pending design and proprietary materials create less heat and dissipate it efficiently for extended life span
- Super-strong neodymium magnets
- Composite pump head and impeller with no metallic parts in fluid path
- CFD design with no low-flow areas
- 316L-reinforced molded inlet ring
- Rotatable pump head
- 316L stainless hardware
- IP55, stainless-steel washdown motor
- 50/60 Hz dual frequency



SPECIFICATIONS

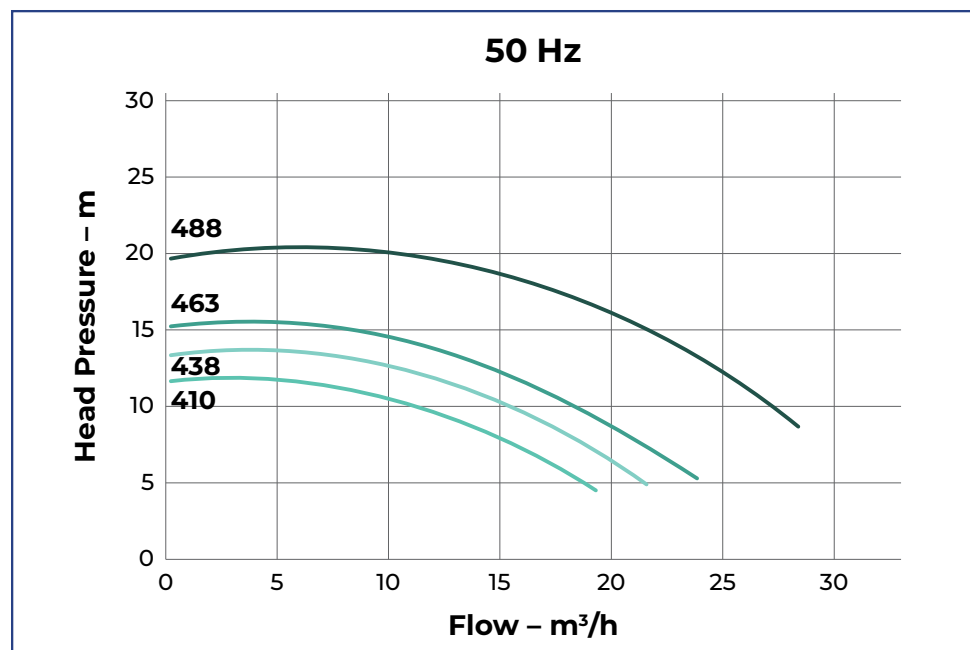
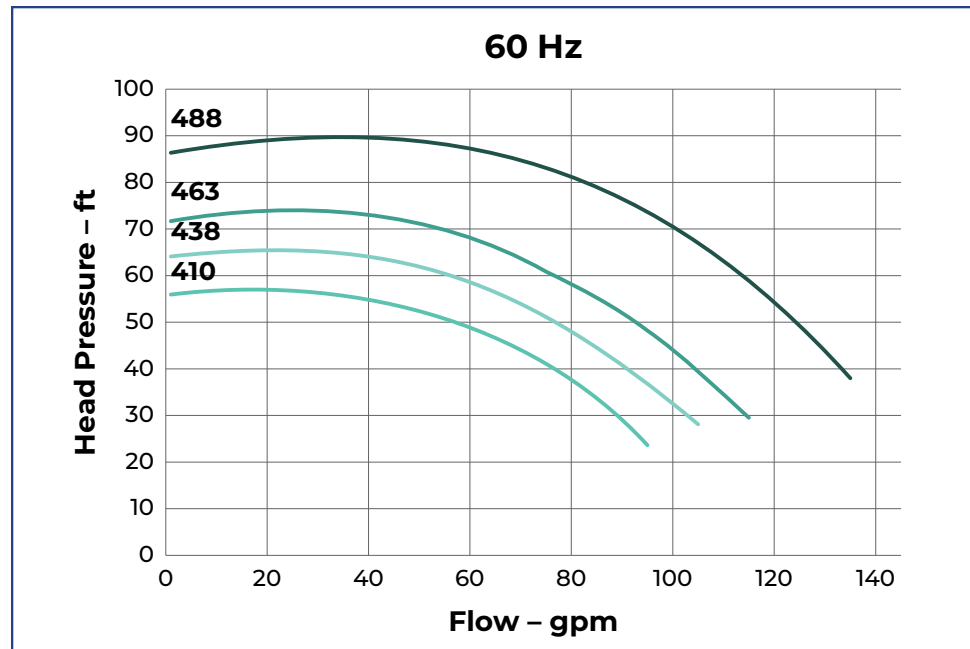
Max Flow	95 gpm
Max Head	59 ft
Inlet	1.5" FNPT
Outlet	1.5" MNPT
Voltage	115/208-230 VAC
Phase	1
Horsepower	1
Current	12.4/6.2 amps
Frequency	50 or 60 Hz



MODEL	INLET (FNPT)	OUTLET (MNPT)	VOLTAGE	PHASE	HP	AMPS
RDP-100M-1171D-400-1T	1.5"	1.5"	115/230	1	1	12.4/6.2

NOTE: Electrical characteristics shown at 60 Hz. Motor derated at 50 Hz.

SERIES RDP-137



TECHNICAL DATA

- 2" Inlet / 1.5" Outlet (NPT)
- 1½, 2 and 3 hp
- Max Flow: 135 gpm
- Max Head: 90 ft

RDP-137M-1171D-410-1 1/2T

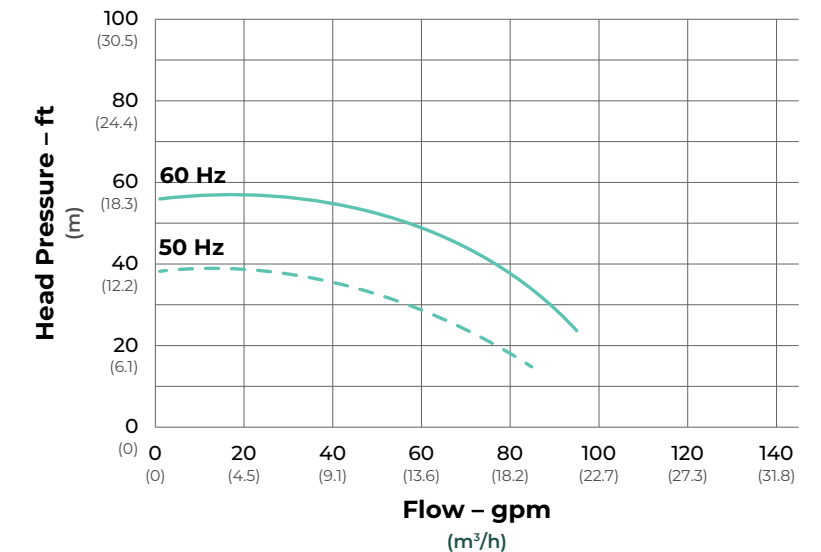
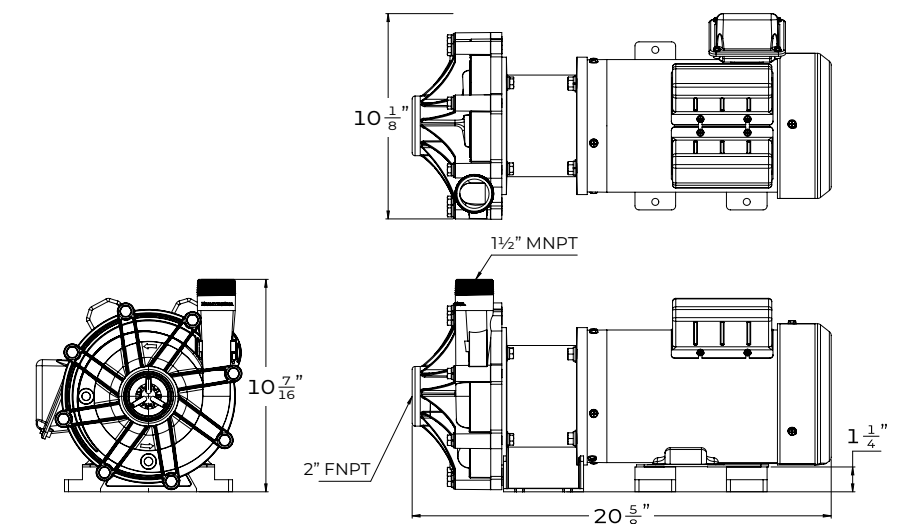
ElectroSea's SeaStrong Silver Bullet RDP pump features a sealless magnetic drive to ensure reliable performance and unparalleled pump durability.

FEATURES

- Magnetic-drive, close-coupled design
- No shaft seals and 100% leak free
- Patent-pending design and proprietary materials create less heat and dissipate it efficiently for extended life span
- Super-strong neodymium magnets
- Composite pump head and impeller with no metallic parts in fluid path
- CFD design with no low-flow areas
- 316L-reinforced molded inlet ring
- Rotatable pump head
- 316L stainless hardware
- IP55, stainless-steel washdown motor
- 50/60 Hz dual frequency

SPECIFICATIONS

Max Flow	95 gpm
Max Head	57 ft
Inlet	2" FNPT
Outlet	1.5" MNPT
Voltage	115/208-230 VAC
Phase	1
Horsepower	1.5
Current	16.4/8.5 amps
Frequency	50 or 60 Hz



MODEL	INLET (FNPT)	OUTLET (MNPT)	VOLTAGE	PHASE	HP	AMPS
RDP-137M-1171D-410-1 1/2T	2.0"	1.5"	115/230	1	1.5	16.4/8.5

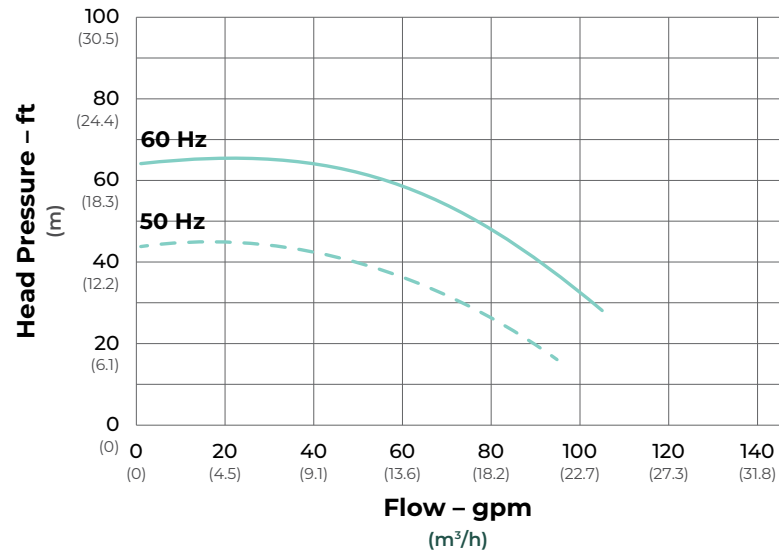
NOTE: Electrical characteristics shown at 60 Hz. Motor derated at 50 Hz.

RDP-137M-1171D-438-1 1/2T

ElectroSea's SeaStrong Silver Bullet RDP pump features a sealless magnetic drive to ensure reliable performance and unparalleled pump durability.

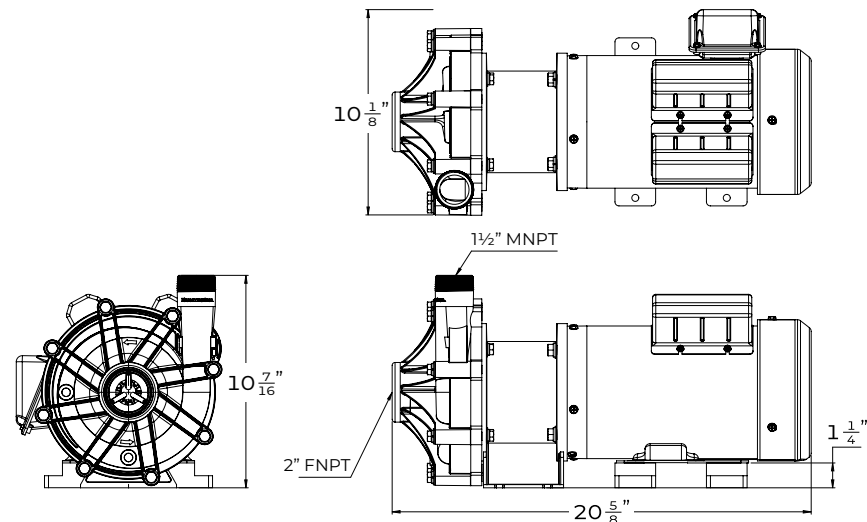
FEATURES

- Magnetic-drive, close-coupled design
- No shaft seals and 100% leak free
- Patent-pending design and proprietary materials create less heat and dissipate it efficiently for extended life span
- Super-strong neodymium magnets
- Composite pump head and impeller with no metallic parts in fluid path
- CFD design with no low-flow areas
- 316L-reinforced molded inlet ring
- Rotatable pump head
- 316L stainless hardware
- IP55, stainless-steel washdown motor
- 50/60 Hz dual frequency



SPECIFICATIONS

Max Flow	105 gpm
Max Head	65 ft
Inlet	2" FNPT
Outlet	1.5" MNPT
Voltage	115/208-230 VAC
Phase	1
Horsepower	1.5
Current	16.4/8.5 amps
Frequency	50 or 60 Hz



MODEL	INLET (FNPT)	OUTLET (MNPT)	VOLTAGE	PHASE	HP	AMPS
RDP-137M-1171D-438-1 1/2T	2.0"	1.5"	115/230	1	1.5	16.4/8.5

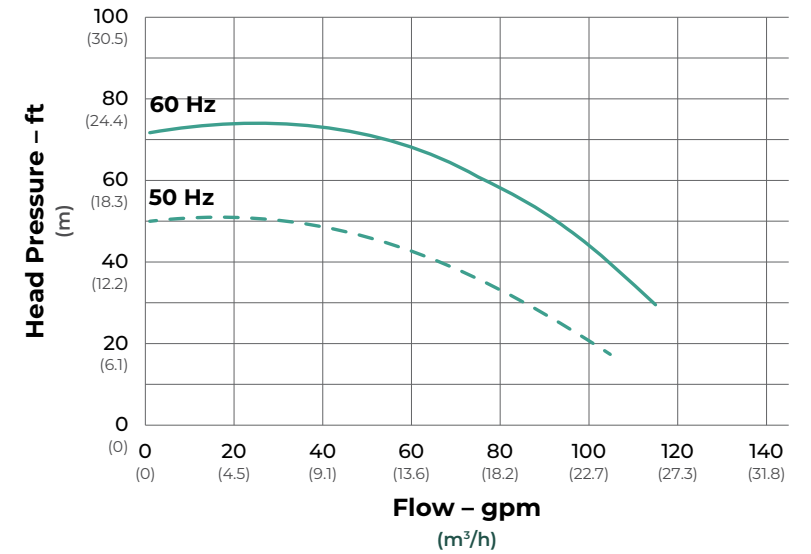
NOTE: Electrical characteristics shown at 60 Hz. Motor derated at 50 Hz.

RDP-137M-1171D-463-2T

ElectroSea's SeaStrong Silver Bullet RDP pump features a sealless magnetic drive to ensure reliable performance and unparalleled pump durability.

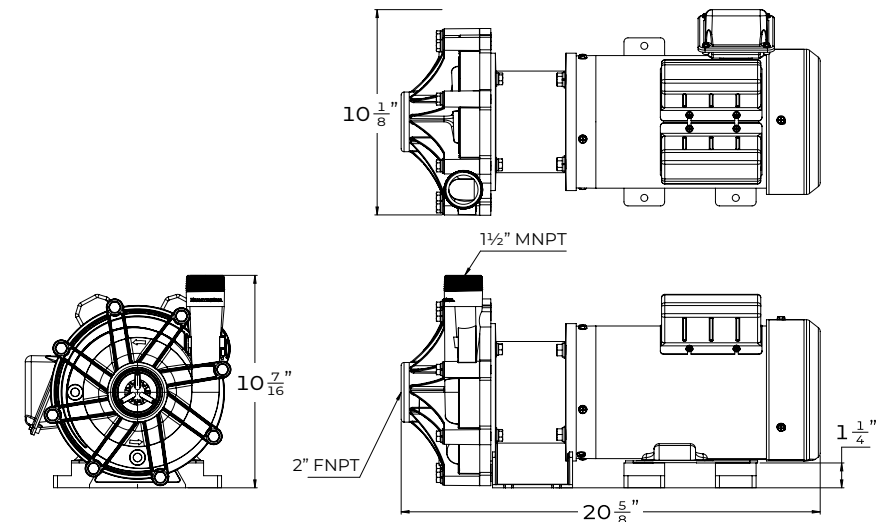
FEATURES

- Magnetic-drive, close-coupled design
- No shaft seals and 100% leak free
- Patent-pending design and proprietary materials create less heat and dissipate it efficiently for extended life span
- Super-strong neodymium magnets
- Composite pump head and impeller with no metallic parts in fluid path
- CFD design with no low-flow areas
- 316L-reinforced molded inlet ring
- Rotatable pump head
- 316L stainless hardware
- IP55, stainless-steel washdown motor
- 50/60 Hz dual frequency



SPECIFICATIONS

Max Flow	115 gpm
Max Head	74 ft
Inlet	2" FNPT
Outlet	1.5" MNPT
Voltage	115/208-230 VAC
Phase	1
Horsepower	2
Current	19.0/9.5 amps
Frequency	50 or 60 Hz



MODEL	INLET (FNPT)	OUTLET (MNPT)	VOLTAGE	PHASE	HP	AMPS
RDP-137M-1171D-463-2T	2.0"	1.5"	115/230	1	2	19.0/9.5

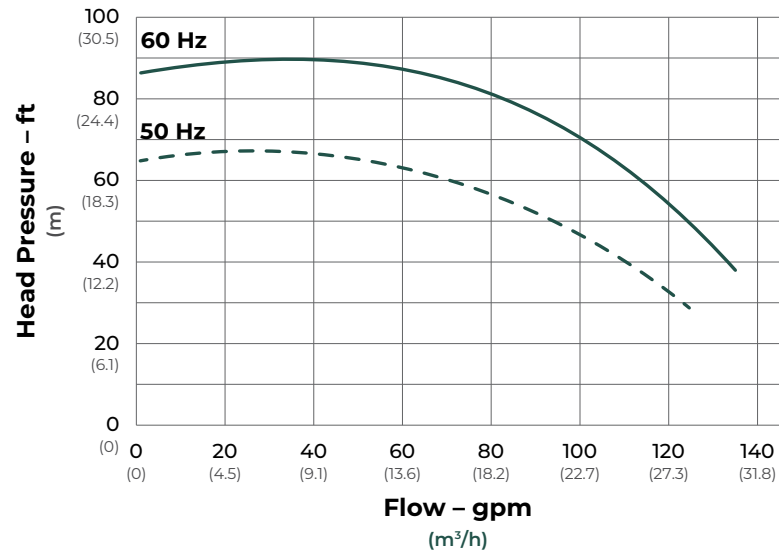
NOTE: Electrical characteristics shown at 60 Hz. Motor derated at 50 Hz.

RDP-137M-2373D-488-3T

ElectroSea's SeaStrong Silver Bullet RDP pump features a sealless magnetic drive to ensure reliable performance and unparalleled pump durability.

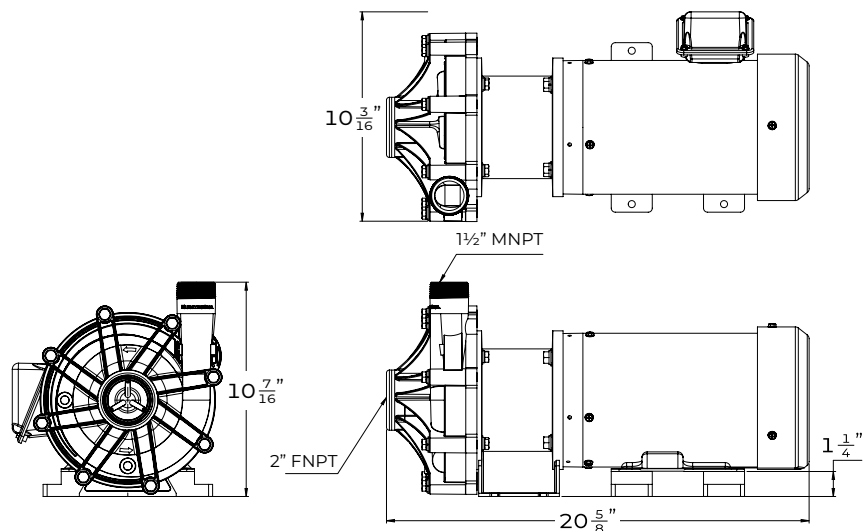
FEATURES

- Magnetic-drive, close-coupled design
- No shaft seals and 100% leak free
- Patent-pending design and proprietary materials create less heat and dissipate it efficiently for extended life span
- Super-strong neodymium magnets
- Composite pump head and impeller with no metallic parts in fluid path
- CFD design with no low-flow areas
- 316L-reinforced molded inlet ring
- Rotatable pump head
- 316L stainless hardware
- IP55, stainless-steel washdown motor
- 50/60 Hz dual frequency



SPECIFICATIONS

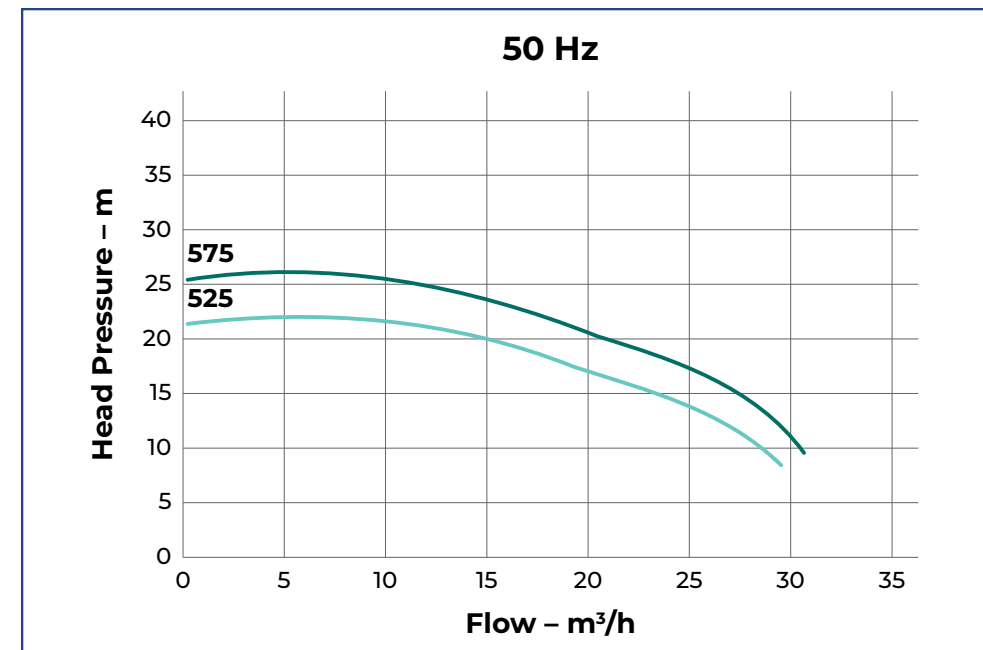
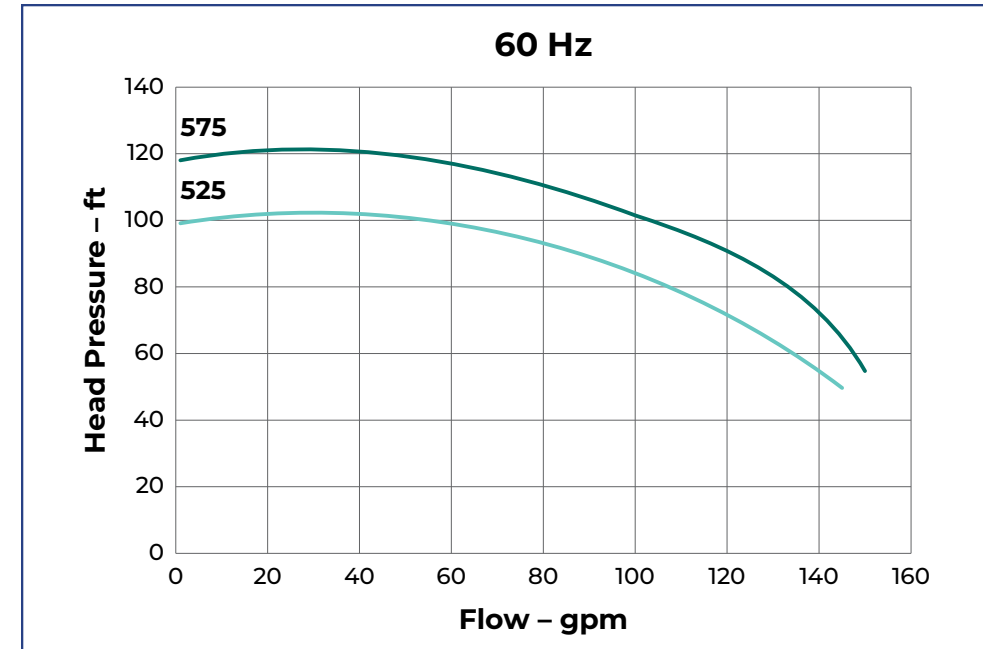
Max Flow	135 gpm
Max Head	90 ft
Inlet	2" FNPT
Outlet	1.5" MNPT
Voltage	230/460 VAC
Phase	3
Horsepower	3
Current	7.2/3.66 amps
Frequency	50 or 60 Hz



MODEL	INLET (FNPT)	OUTLET (MNPT)	VOLTAGE	PHASE	HP	AMPS
RDP-137M-2373D-488-3T	2.0"	1.5"	230/460	3	3	7.2/3.66

NOTE: Electrical characteristics shown at 60 Hz. Motor derated at 50 Hz.

SERIES RDP-150



TECHNICAL DATA

- 2" Inlet / 2" Outlet (NPT)
- 5 hp
- Max Flow: 150 gpm
- Max Head: 121 ft

RDP-150M-2373D-525-5T

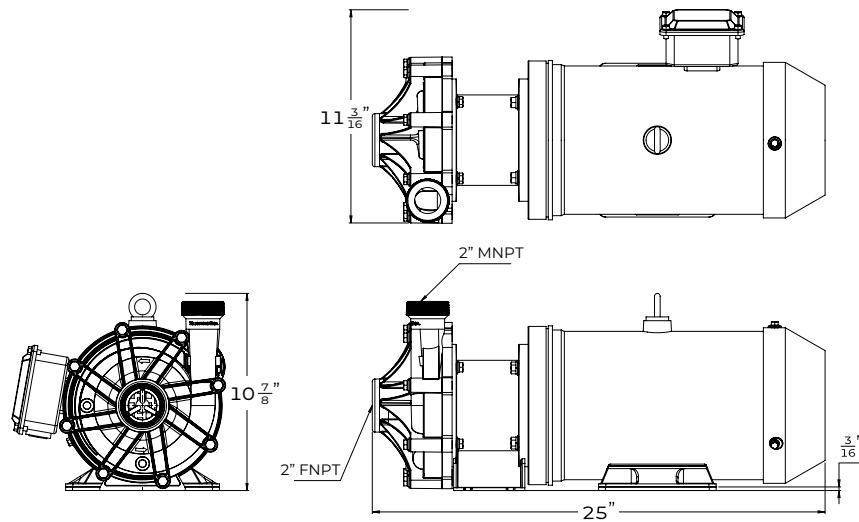
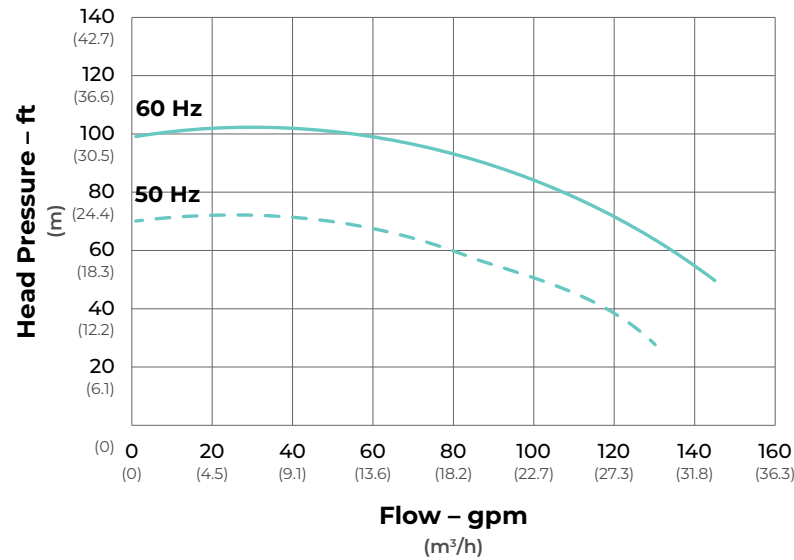
ElectroSea's SeaStrong Silver Bullet RDP pump features a sealless magnetic drive to ensure reliable performance and unparalleled pump durability.

FEATURES

- Magnetic-drive, close-coupled design
- No shaft seals and 100% leak free
- Patent-pending design and proprietary materials create less heat and dissipate it efficiently for extended life span
- Super-strong neodymium magnets
- Composite pump head and impeller with no metallic parts in fluid path
- CFD design with no low-flow areas
- 316L-reinforced molded inlet ring
- Rotatable pump head
- 316L stainless hardware
- IP55, stainless-steel washdown motor
- 50/60 Hz dual frequency

SPECIFICATIONS

Max Flow	145 gpm
Max Head	103 ft
Inlet	2" FNPT
Outlet	2" MNPT
Voltage	230/460 VAC
Phase	3
Horsepower	5
Current	11.0/5.5 amps
Frequency	50 or 60 Hz



MODEL	INLET (FNPT)	OUTLET (MNPT)	VOLTAGE	PHASE	HP	AMPS
RDP-150M-2373D-525-5T	2.0"	2.0"	230/460	3	5	11.0/5.5

NOTE: Electrical characteristics shown at 60 Hz. Motor derated at 50 Hz.

RDP-150M-2373D-575-5T

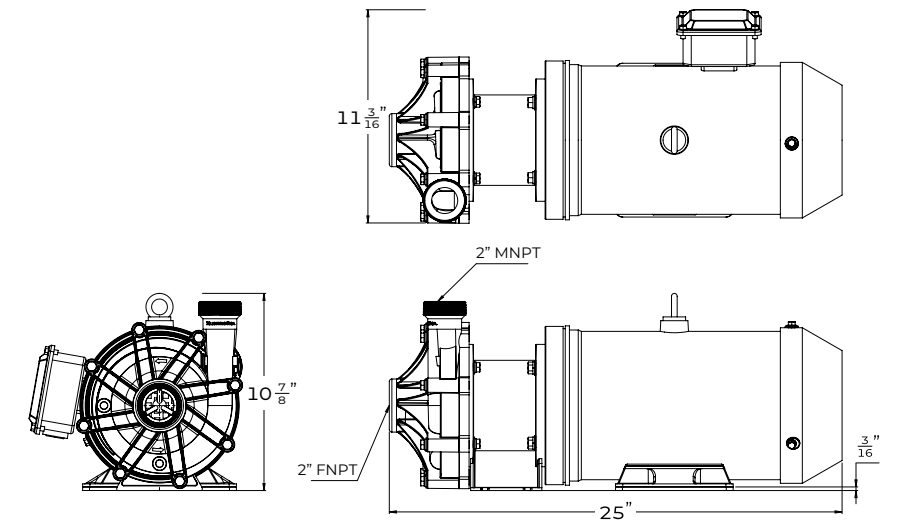
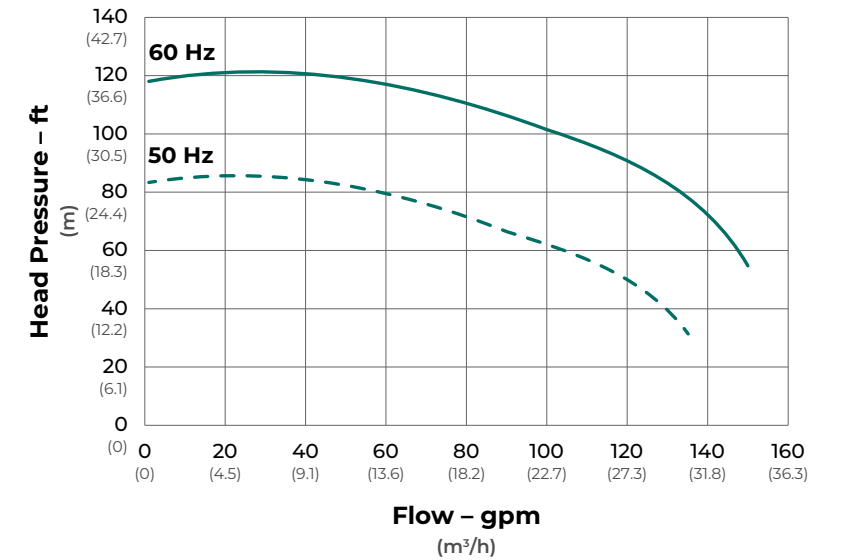
ElectroSea's SeaStrong Silver Bullet RDP pump features a sealless magnetic drive to ensure reliable performance and unparalleled pump durability.

FEATURES

- Magnetic-drive, close-coupled design
- No shaft seals and 100% leak free
- Patent-pending design and proprietary materials create less heat and dissipate it efficiently for extended life span
- Super-strong neodymium magnets
- Composite pump head and impeller with no metallic parts in fluid path
- CFD design with no low-flow areas
- 316L-reinforced molded inlet ring
- Rotatable pump head
- 316L stainless hardware
- IP55, stainless-steel washdown motor
- 50/60 Hz dual frequency

SPECIFICATIONS

Max Flow	150 gpm
Max Head	121 ft
Inlet	2" FNPT
Outlet	2" MNPT
Voltage	230/460 VAC
Phase	3
Horsepower	5
Current	11.0/5.5 amps
Frequency	50 or 60 Hz



MODEL	INLET (FNPT)	OUTLET (MNPT)	VOLTAGE	PHASE	HP	AMPS
RDP-150M-2373D-575-5T	2.0"	2.0"	230/460	3	5	11.0/5.5

NOTE: Electrical characteristics shown at 60 Hz. Motor derated at 50 Hz.

SPARE PARTS GUIDE

	MODEL	WEAR KIT	IMPELLER KIT	WET END KIT	MOTOR KIT
RDP-030 SERIES	RDP-030M-1171-250-1/2T	200081-030	200082-020	200082-170	200082-300
	RDP-030M-2371-250-1/2T	200081-030	200082-020	200082-170	200082-300
	RDP-030M-1171-300-1/2T	200081-030	200082-021	200082-171	200082-300
	RDP-030M-2371-300-1/2T	200081-030	200082-021	200082-171	200082-300
RDP-045 SERIES	RDP-045M-1171-340-1/2T	200081-030	200082-022	200082-172	200082-300
	RDP-045M-2371-340-1/2T	200081-030	200082-022	200082-172	200082-300
	RDP-045M-1171-362-1/2T	200081-030	200082-023	200082-173	200082-300
	RDP-045M-2371-362-1/2T	200081-030	200082-023	200082-173	200082-300
	RDP-045M-1171-390-1/2T	200081-030	200082-024	200082-174	200082-300
	RDP-045M-2371-390-1/2T	200081-030	200082-024	200082-174	200082-300
RDP-062 SERIES	RDP-062M-1171-350-1/2T	200081-035	200082-025	200082-175	200082-300
	RDP-062M-2371-350-1/2T	200081-035	200082-025	200082-175	200082-300
	RDP-062M-1171-360-1/2T	200081-035	200082-026	200082-176	200082-300
	RDP-062M-2371-360-1/2T	200081-035	200082-026	200082-176	200082-300
RDP-075 SERIES	RDP-075M-1171-338-1/2T	200081-040	200082-027	200082-177	200082-300
	RDP-075M-2371-338-1/2T	200081-040	200082-027	200082-177	200082-300
RDP-100 SERIES	RDP-100M-1171D-350-1T	200081-040	200082-028	200082-178	200082-305
	RDP-100M-1171D-375-1T	200081-040	200082-029	200082-179	200082-305
	RDP-100M-1171D-400-1T	200081-040	200082-030	200082-180	200082-305
RDP-137 SERIES	RDP-137M-1171D-410-1 1/2T	200081-045	200082-031	200082-181	200082-310
	RDP-137M-1171D-438-1 1/2T	200081-045	200082-032	200082-182	200082-310
	RDP-137M-1171D-463-2T	200081-045	200082-033	200082-183	200082-315
	RDP-137M-2373D-488-3T	200081-045	200082-034	200082-184	200082-320
RDP-150 SERIES	RDP-150M-2373D-525-5T	200081-050	200082-035	200082-185	200082-325
	RDP-150M-2373D-575-5T	200081-050	200082-036	200082-186	200082-325

